

1 2 3 4 5 6 7 8

A

B

C

D

E

F

A

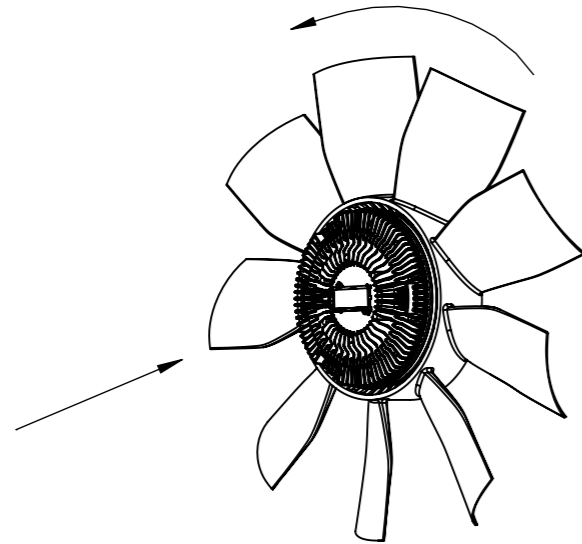
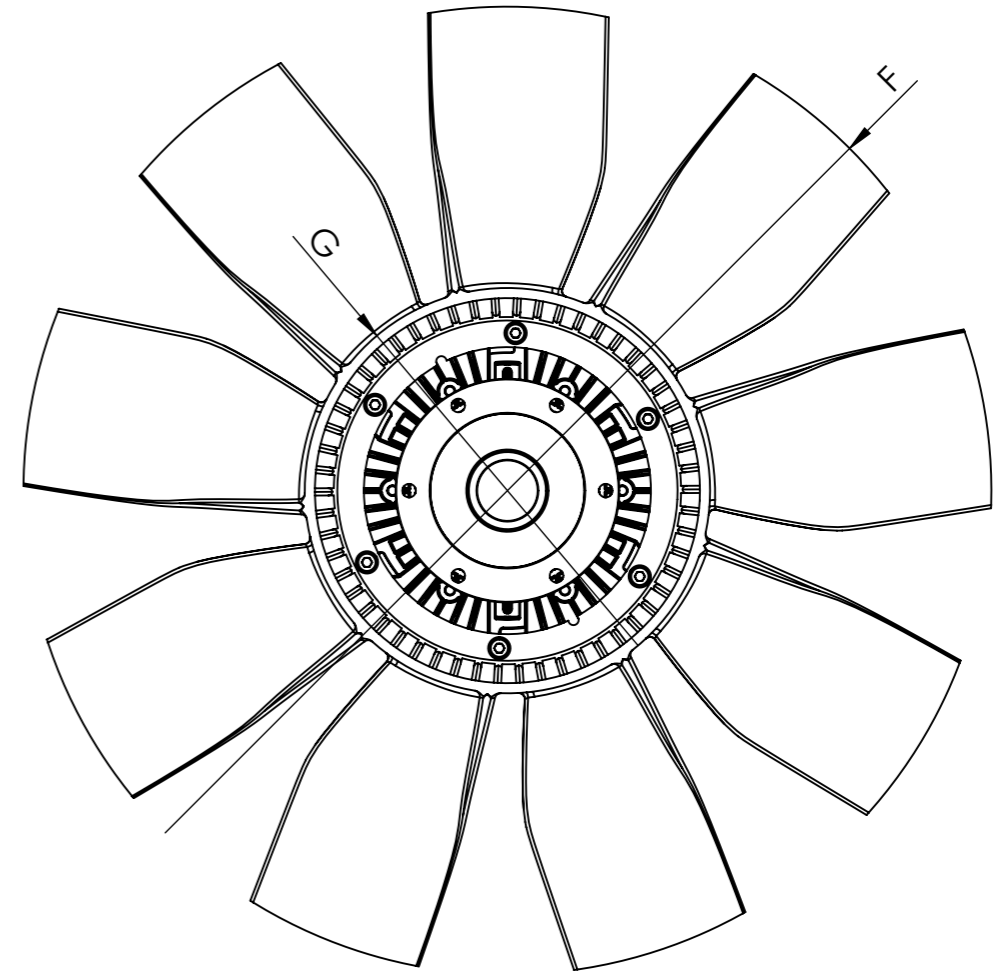
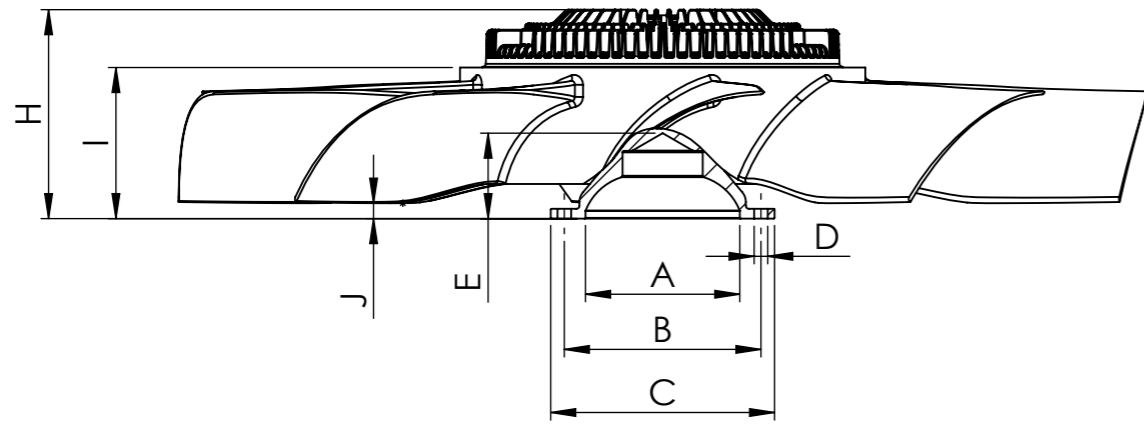
B

C

D

E

F



Dimensional values	INPUT SHAFT				FAN CLUTCH WHEEL			
	Ref.n°	Value	Ref.n°	Value	Ref.n°	Value	Ref.n°	Value
	A	Ø 102 H8 mm			F	Ø 640 ± 3 mm		
	B	Ø 130 mm			G	Ø 270 ± 3 mm		
	C	Ø 148 mm			H	138,2 ± 1 mm		
	D	6x Ø 9 mm			I	100,1 ± 3 mm		
	E	56,5 ± 2 mm			J	9,6 ± 3 mm		
					Number of blades	9	Configuration	CCW

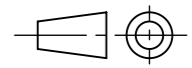
Modification	n°	Modified	Date	Reason
	4			
3				
2				
1				

Comments	

Drawn
15/06/20 S.F.
Checked
15/06/20 A.D.



General Tolerance	ISO 2768 c-K	Assembly	Technical sheet
Material		Part name	Fan clutch wheel
		ID. Reference	7021131
		Scale: 1/5	
		Review: 0	



Sheet
1/1

1 2 3 4 5 6 7 8