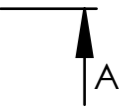
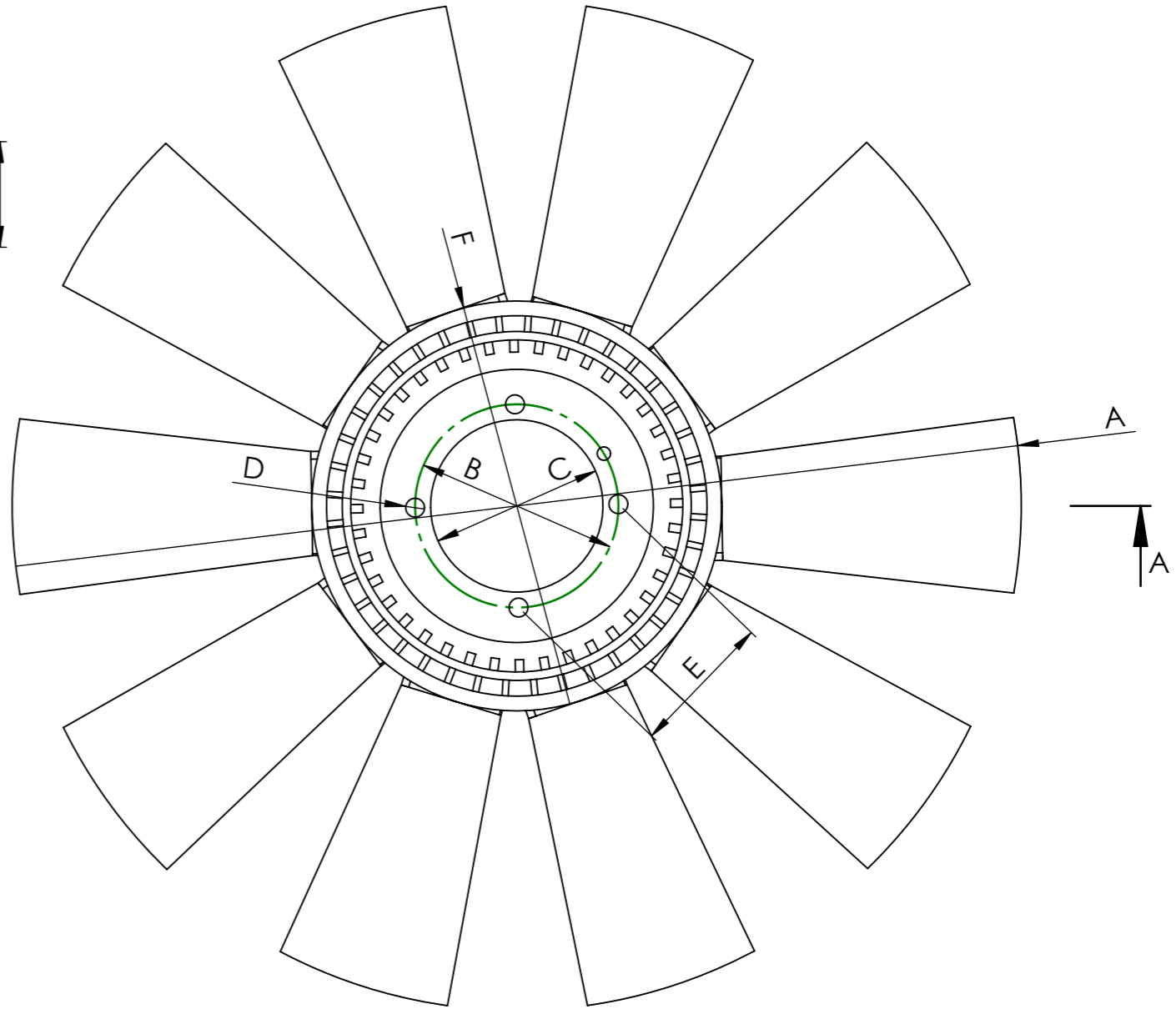
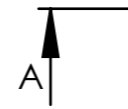
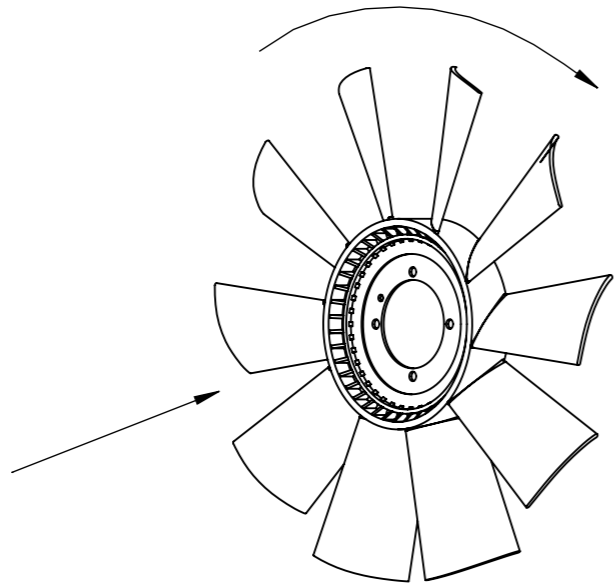


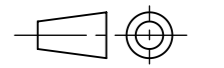
SECTION A-A
SCALE 1 : 3



FAN WHEEL				
Dimensional values	Ref.n°	Value	Ref.n°	Value
	A	$\varnothing 480 \pm 3$ mm	G	50 ± 3 mm
	B	$\varnothing 96,7$ mm	H	28 ± 3 mm
	C	$\varnothing 82,5 +0,3 0$ mm	I	50 ± 3 mm
	D	4x $\varnothing 8,6$ mm		
	E	68,4 mm		
	F	$\varnothing 195 \pm 3$ mm		
	Number of blades	10	Configuration	CW

Modification n°	Modified	Date	Reason	Comments	Drawn
					4
3					Checked
2					22/05/20 A.D.
1					

General Tolerance	ISO 2768 c-K	Assembly	Technical sheet
Material		Part name	Fan wheel
ID. Reference	7027109	Scale: 1/3	
Review: 0			



Sheet
1/1