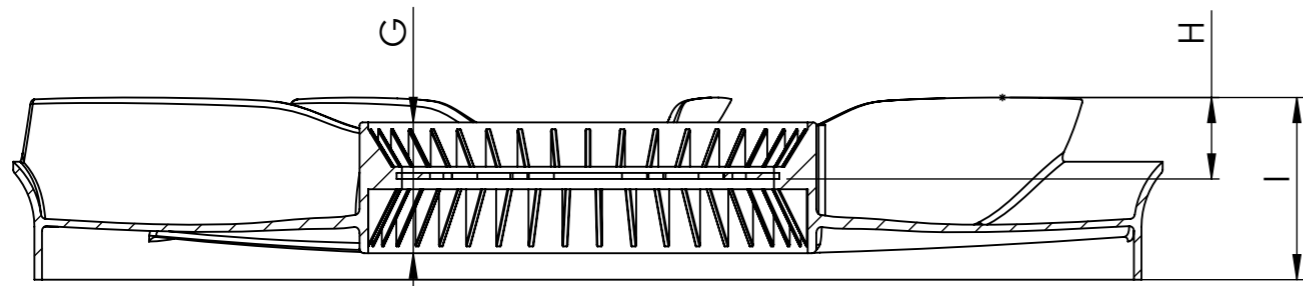


1 2 3 4 5 6 7 8

A

A



SECCIÓN A-A
ESCALA 1 : 5

B

B

C

C

D

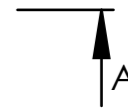
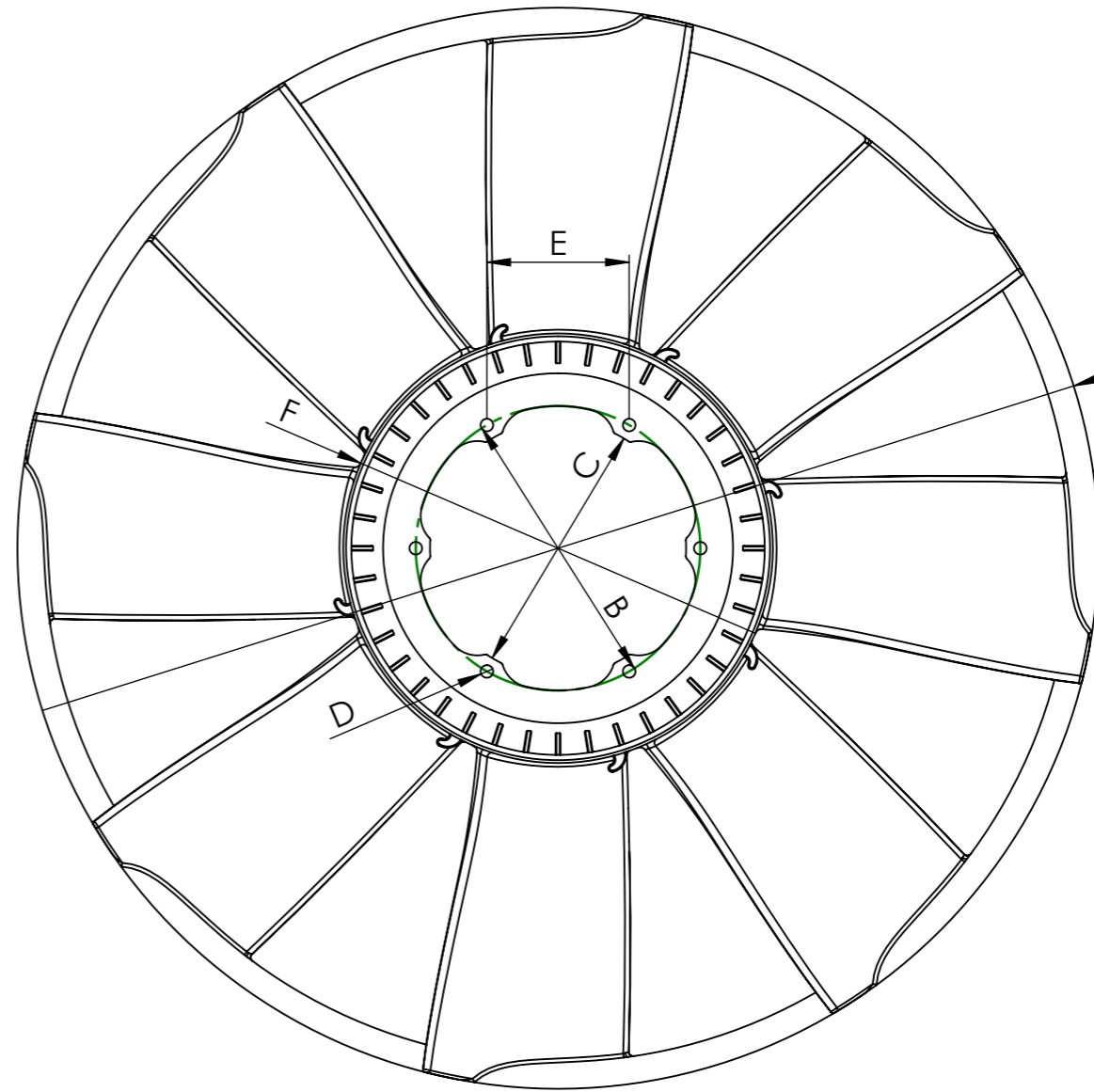
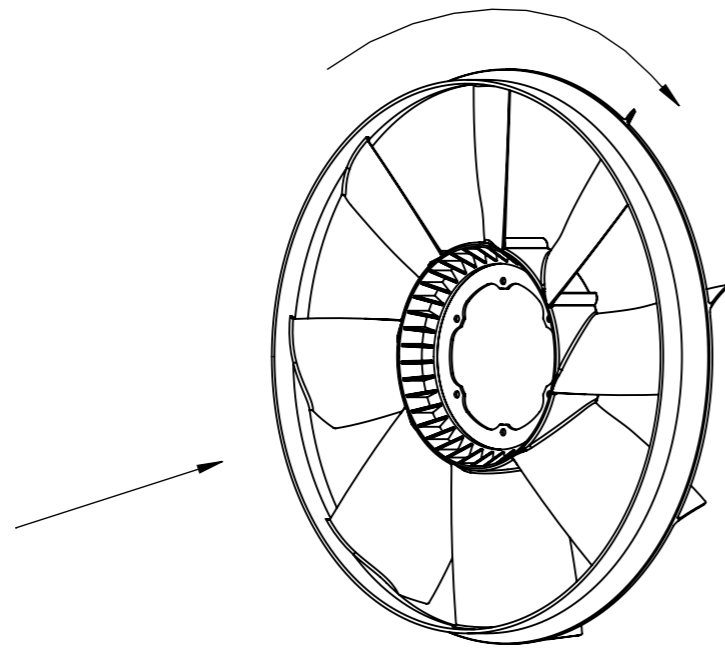
D

E

E

F

F



FAN WHEEL			
Ref.nº	Value	Ref.nº	Value
A	$\phi 748 \pm 3$ mm	G	85 ± 3 mm
B	$\phi 200,5$ mm	H	$53,6 \pm 3$ mm
C	$\phi 180 +0,30$ mm	I	$121,9 \pm 3$ mm
D	6x $\phi 9$ mm	J	$\phi 726 \pm 3$ mm
E	100,3 mm		
F	$\phi 300 \pm 3$ mm		
Number of blades		8	Configuration
			CW

Modification nº	Modified	Date	Reason
4			
3			
2			
1			

Comments

Drawn
18/05/20 S.F.

Checked
18/05/20 A.D.

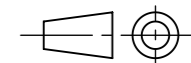
General Tolerance
ISO 2768 c-K

Material

Assembly
Part name Fan wheel

ID. Reference 7037131

Scale: 1/5
Review: 0



Sheet
1/1

1 2 3 4 5 6 7 8