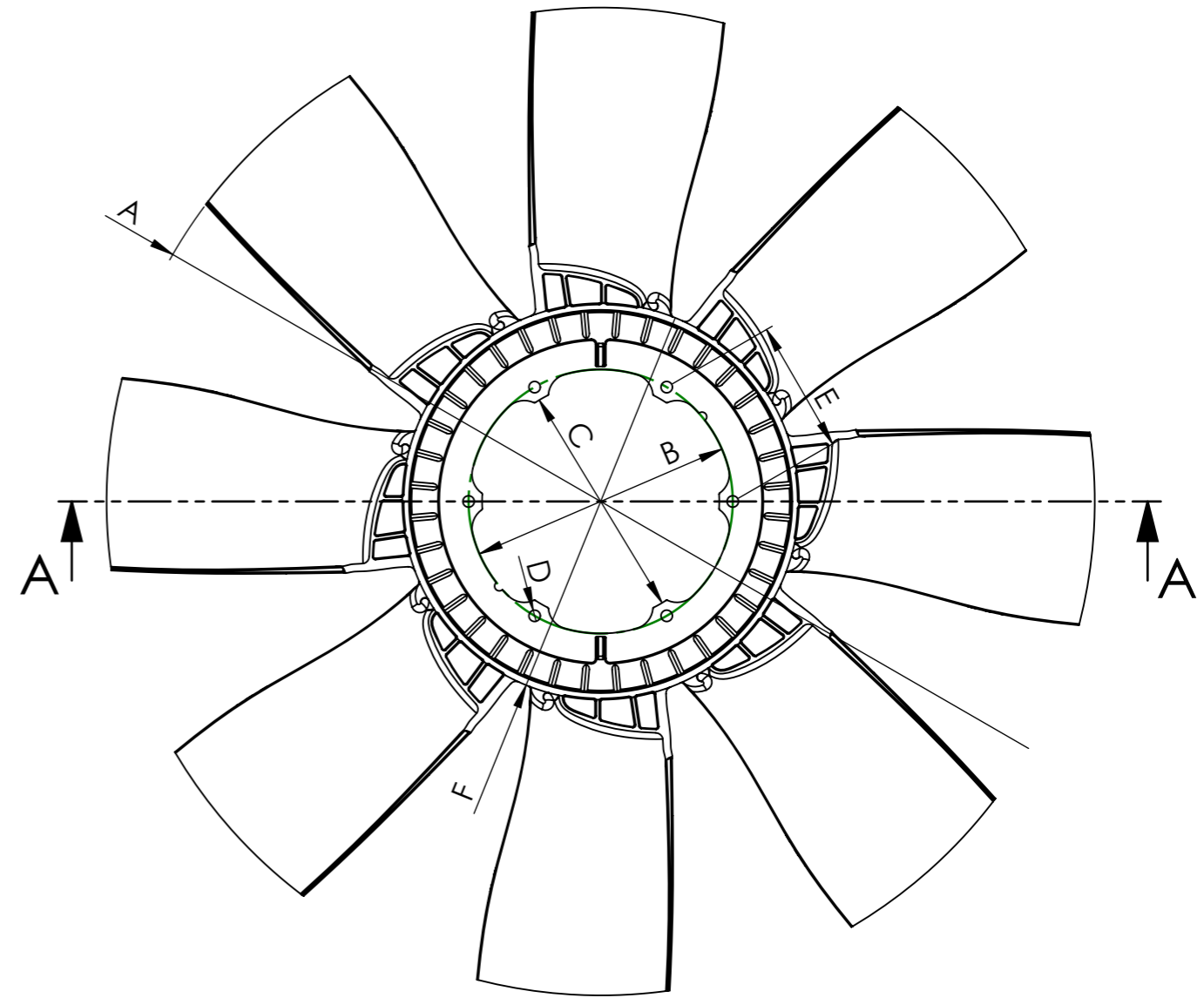
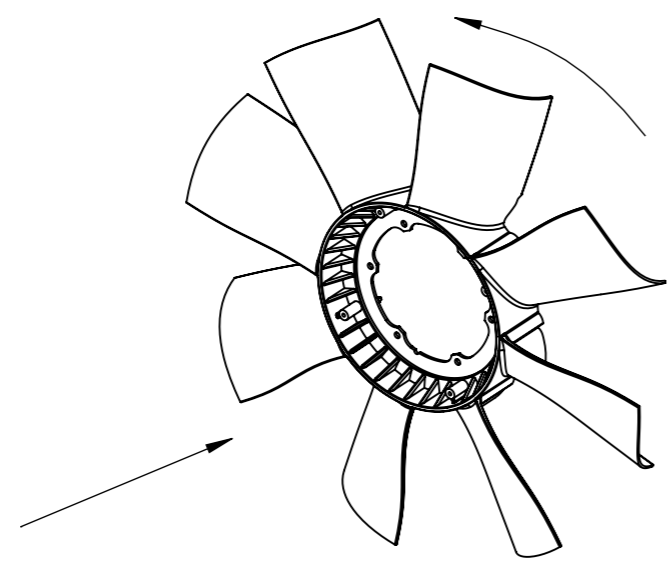


SECTION A-A



FAN WHEEL			
Ref.n°	Value	Ref.n°	Value
A	$\phi 750 \pm 3$ mm	G	84.3 ± 3 mm
B	$\phi 200.5$ mm	H	51.8 ± 3 mm
C	$\phi 180 +0.3-0$ mm	I	99.8 ± 3 mm
D	6x $\phi 8.7$ mm		
E	100.3 mm		
F	$\phi 302 \pm 3$ mm		
Number of blades		8	Configuration
			CCW

Modification n°	Modified	Date	Reason	Comments
4				
3				
2				
1				

10/06/20 J.S.	cojali	Technical sheet
10/06/20 V.P.		Part name
ISO 2768 c-K	ID. Reference	7037417
Material	Scale: 1/5	
	Review: 0	