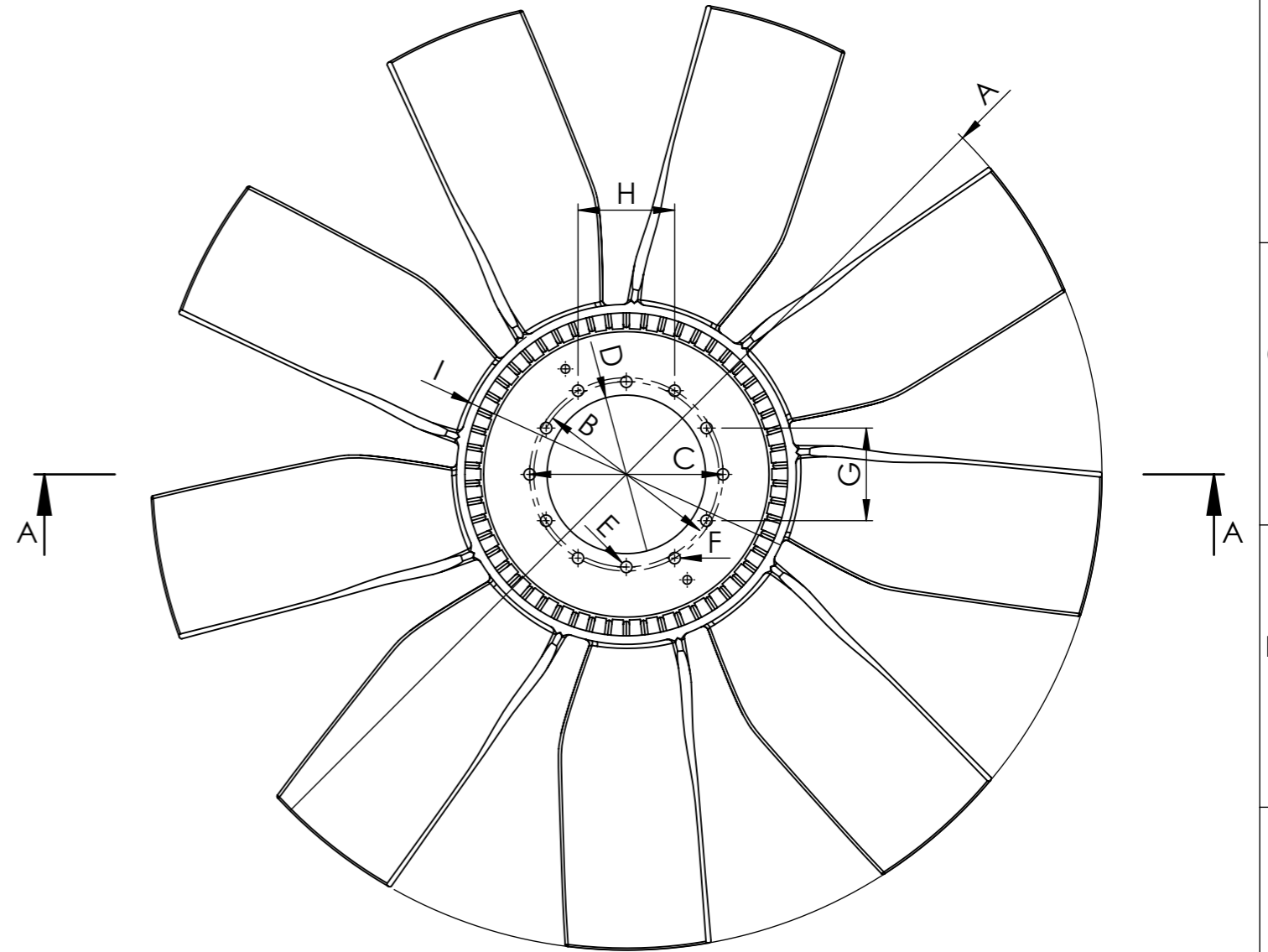
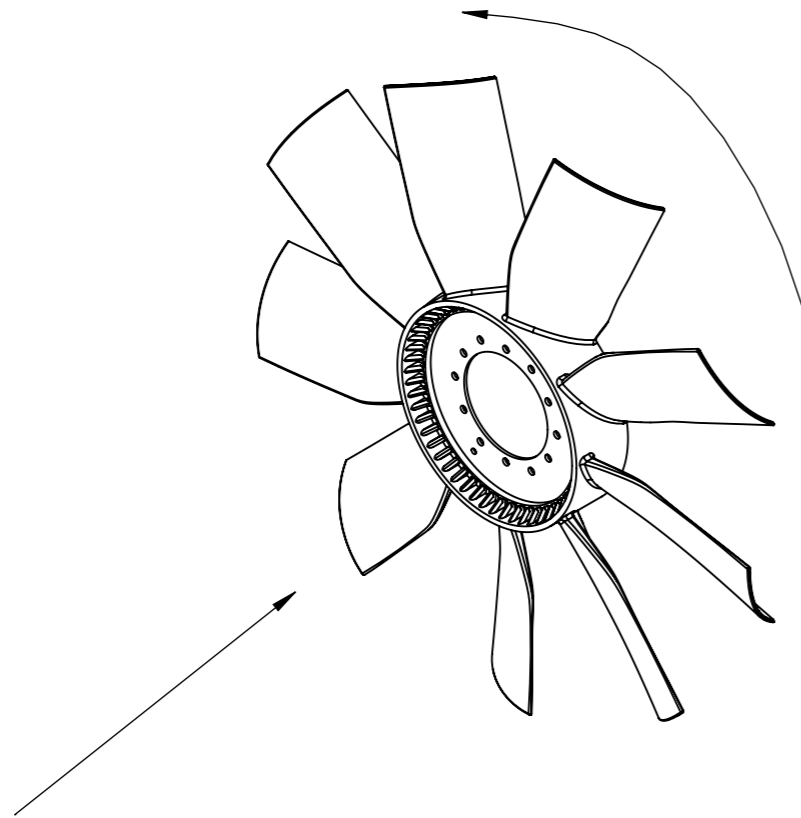


SECTION A-A



FAN WHEEL			
Ref.n°	Value	Ref.n°	Value
A	$\varnothing 750 \pm 3$ mm	G	73 mm
B	$\varnothing 146$ mm	H	76.2 mm
C	$\varnothing 152.4$ mm	I	$\varnothing 270 \pm 3$ mm
D	$\varnothing 125 +0.30$ mm	J	$77 \pm 3$ mm
E	6x $\varnothing 9$ mm	K	$49 \pm 3$ mm
F	6x $\varnothing 9$ mm	L	$77.5 \pm 3$ mm
Number of blades		9	Configuration
			CCW

Modification n°	Modified	Date	Reason
4			
3			
2			
1			


Comments			


**Drawn**  
25/05/20 A.G.

**Checked**  
25/05/20 R.U.

**General Tolerance**  
ISO 2768 c-K

**Material**



<b>Assembly</b>	Technical sheet
<b>Part name</b>	Fan wheel
<b>ID. Reference</b>	7037419
<b>Scale:</b> 1/5	
<b>Review:</b> 0	
<b>Sheet 1/1</b>	