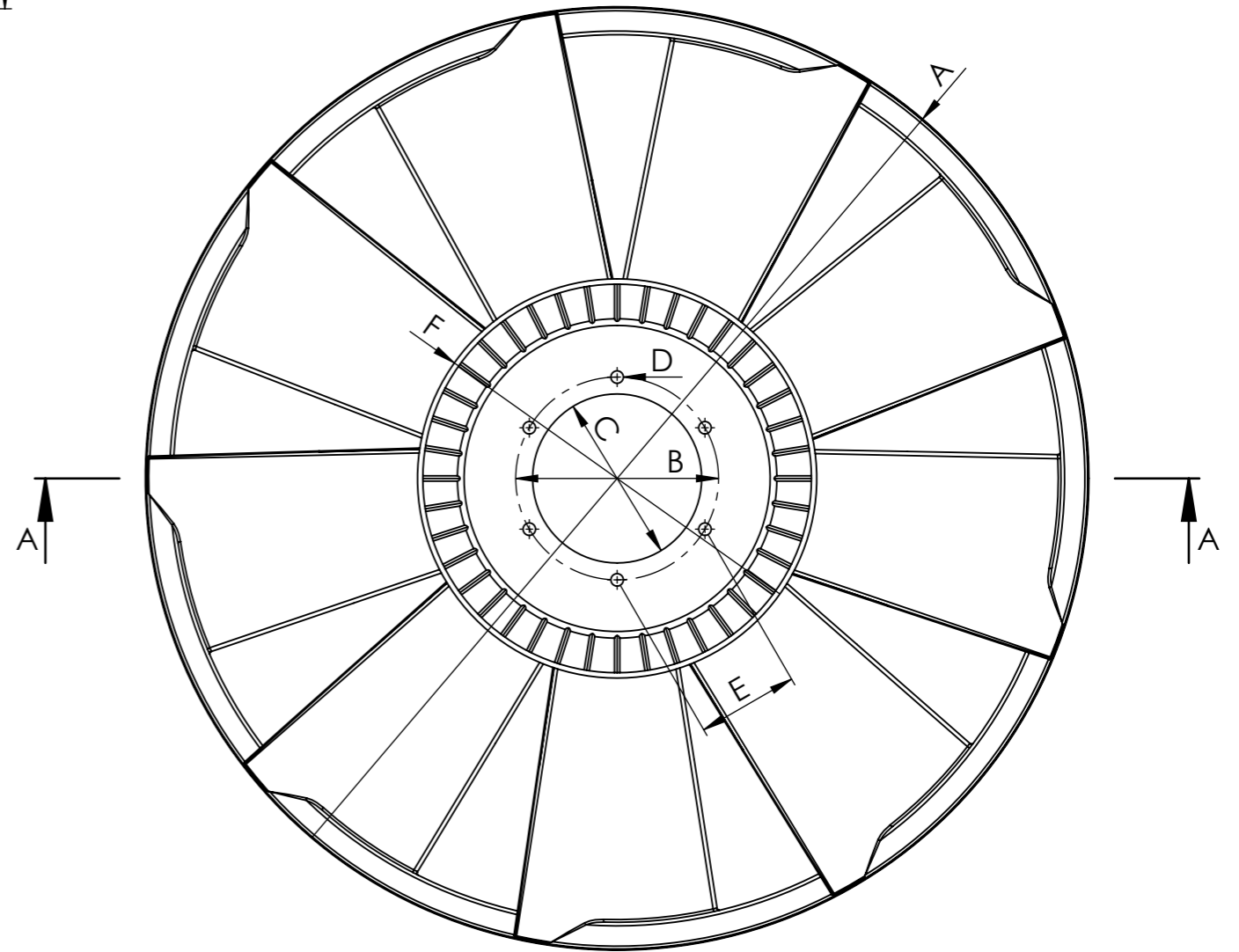
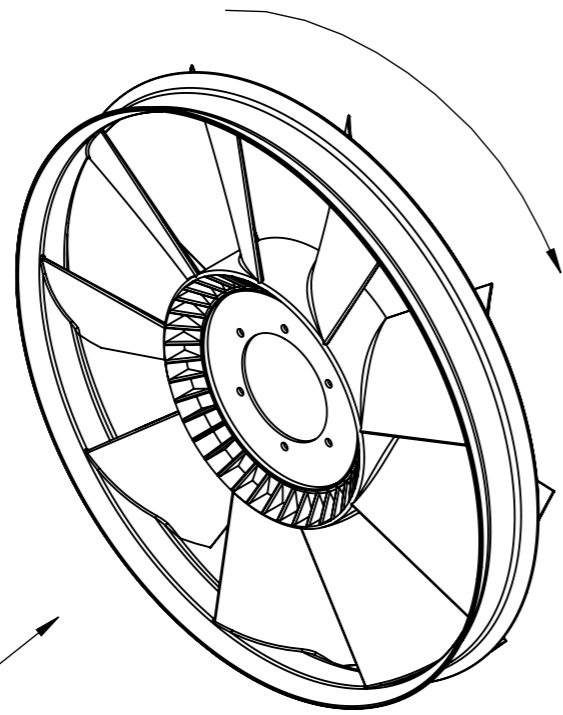


SECTION A-A



FAN WHEEL			
Ref.n°	Value	Ref.n°	Value
A	$\varnothing 705 \pm 3$ mm	G	88.7 ± 3 mm
B	$\varnothing 152.4$ mm	H	53.5 ± 3 mm
C	$\varnothing 127 +0.30$ mm	I	109 ± 3 mm
D	6x $\varnothing 9$ mm	J	$\varnothing 694 \pm 3$ mm
E	76.2 mm		
F	$\varnothing 299.5 \pm 3$ mm		
Number of blades		9	Configuration
			CW

Modification n°	Modified	Date	Reason	Comments
4				
3				
2				
1				

Drawn
18/05/20 A.G.

Checked
18/05/20 R.U.

General Tolerance
ISO 2768 c-K

Material

Assembly
Part name Fan wheel

ID. Reference 7067105

Scale: 1/5
Review: 0

