

1 2 3 4 5 6 7 8

A

B

C

D

E

F

A

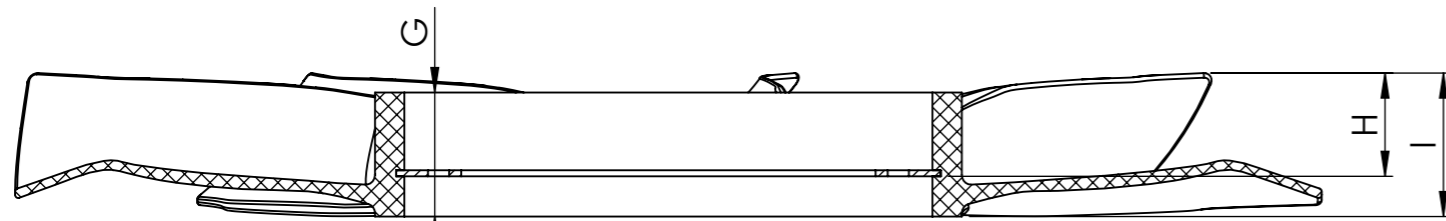
B

C

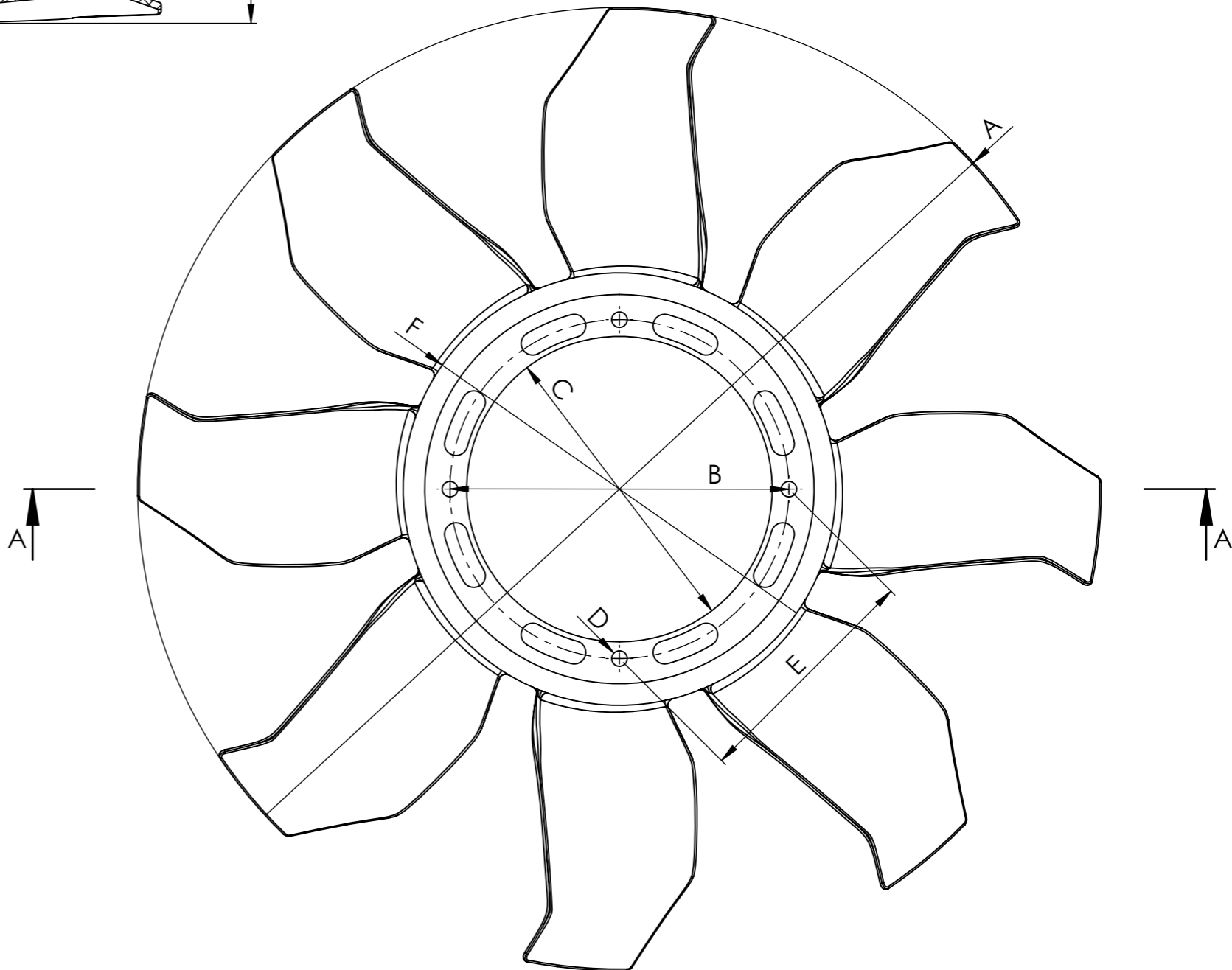
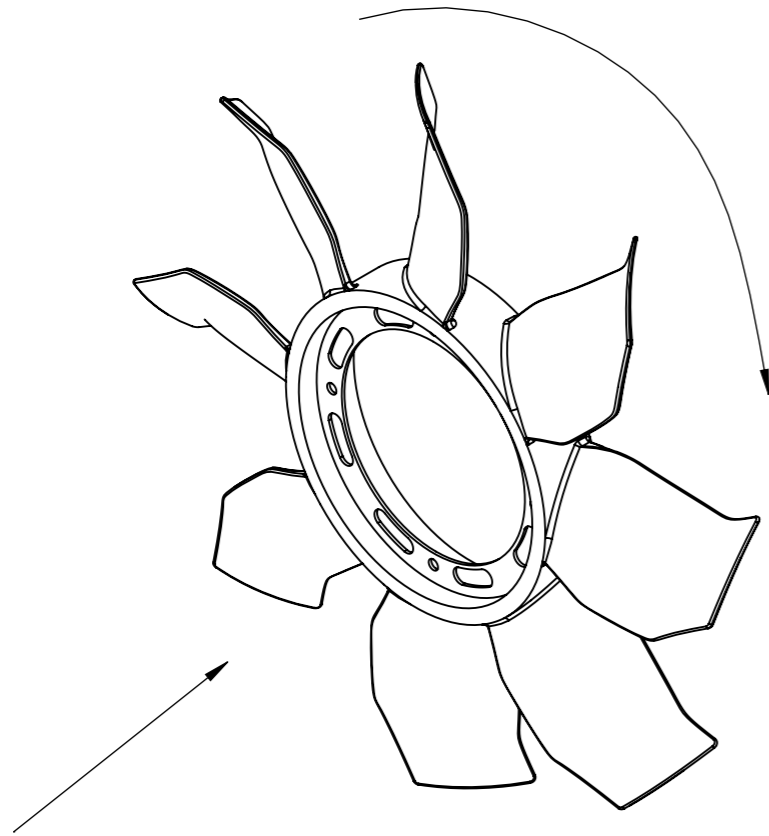
D

E

F



SECTION A-A



FAN WHEEL			
Ref.n°	Value	Ref.n°	Value
A	$\phi 430 \pm 3$ mm	G	41 ± 3 mm
B	$\phi 153$ mm	H	26.9 ± 3 mm
C	$\phi 137 +0.30$ mm	I	48.3 ± 3 mm
D	4x $\phi 7$ mm		
E	108.2 mm		
F	$\phi 195 \pm 3$ mm		
Number of blades		8	Configuration
			CW

Modification n°	Modified	Date	Reason
4			
3			
2			
1			

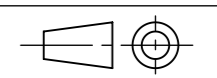
Comments
The drawing views may not match the actual part.

Drawn
07/07/20 A.G.
Checked
07/07/20 R.U.

General Tolerance
ISO 2768 c-K

Material

Assembly
Part name Fan wheel
ID. Reference 8125616
Scale: 2/5
Review: 0



Sheet
1/1

1 2 3 4 5 6 7 8