

1

2

3

4

A

**Technical Data/ Datos Técnicos:**

A

Part number adaptable to/ Referencia adaptable a:	4214110860
Hydraulic fluid/ Fluido hidráulico:	Air/Aire
Thermal range/ Rango de temperatura:	-40 °C to/ a 80 °C
Supply pressure/ Presión de alimentación:	max. 10 bar
Weight/ Peso:	450 gr

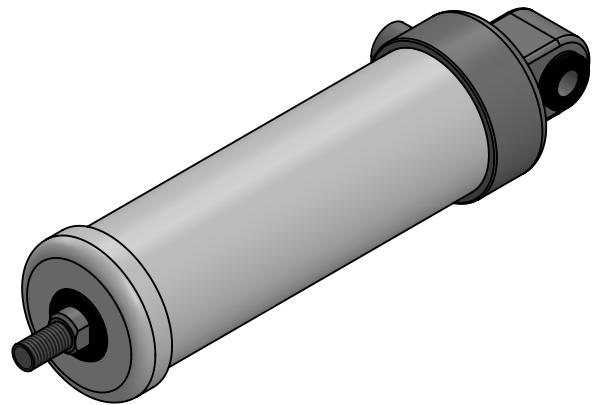
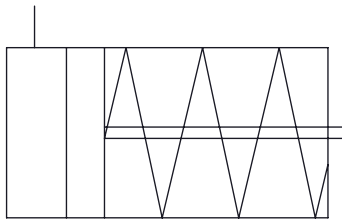
B

B

C

C

**Pneumatic scheme  
/  
Esquema neumático**



D

D

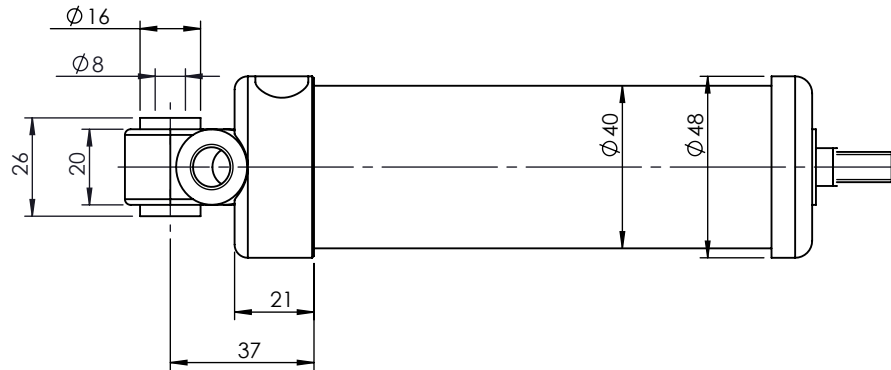
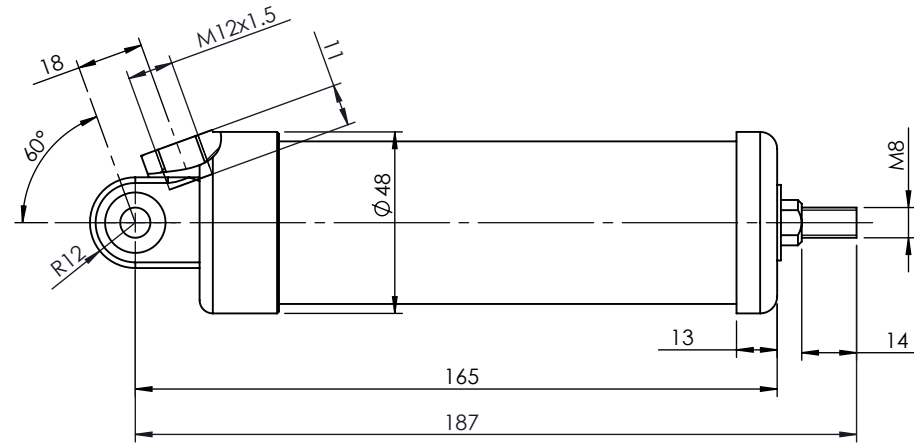
E

E

F

F

Modification	4				Drawn		
	3				02/09/20 S.F.		
	2				Checked		
	1				02/09/20 O.V.		
	nº	Modified	Date	Reason	General Tolerance		Assembly
Comments					-	Part name	Operating cylinder/Cilindro operacional
					Material	ID. Reference	2201202
					-	Scale: -	
					-	Review: 0	

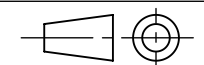


Modification	4				Drawn
	3				02/09/20 S.F.
	2				Checked
	1				02/09/20 O.V.
	nº	Modified	Date	Reason	General Tolerance
Comments					Assembly
					-
					Part name
					ID. Reference
					Scale: -
					Review: 0



Operating cylinder/Cilindro operacional

2201202



Sheet  
2/2