

1

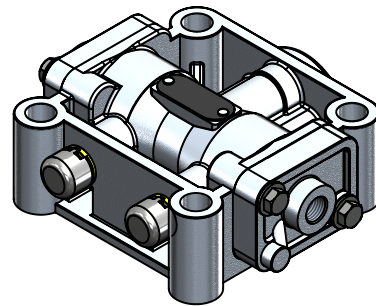
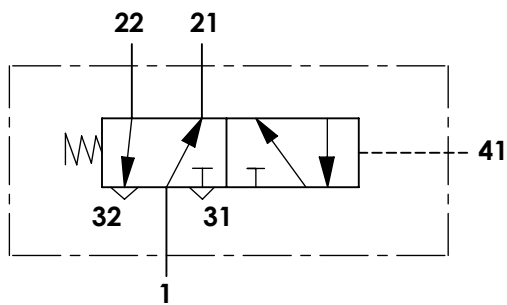
2

3

4

A Technical sheet / Datos técnicos:

Part number adaptable to / Referencia adaptable a	4630630020
Operating pressure / Presión de trabajo	max. 10 bar
Permissible medium / Medio de funcionamiento	Air / Aire
Operating temperature range / Rango de temperatura	-25°C to / a +140°C
Weight / Peso	600 gr



Port / Conexión	Function / Función	Thread / Rosca
1	Supply / Alimentación	M12x1,5
21	Delivery / Salida	Ø4 mm
22	Delivery / Salida	Ø4 mm
41	Control / Pilotaje	M10x1,0
31	Exhaust / Escape	-
32	Exhaust / Escape	-

E Installation requirements / Requisitos para la instalación:

Mounting is accomplished with four screws M8. / El montaje se realiza mediante cuatro tornillos M8.

Modification	4				Drawn		
	3				18/12/14 A.U.		
	2				Checked		
	1				18/12/14 A.L.		
F	nº	Modified	Date	Reason	General Tolerance	Assembly	-
	Comments				-	Part name	Gearbox valve
					Material	ID. Reference	2216200
				-	Scale: -		Sheet 1/2
				-	Review: 0		

1

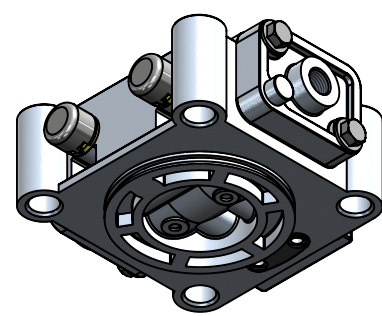
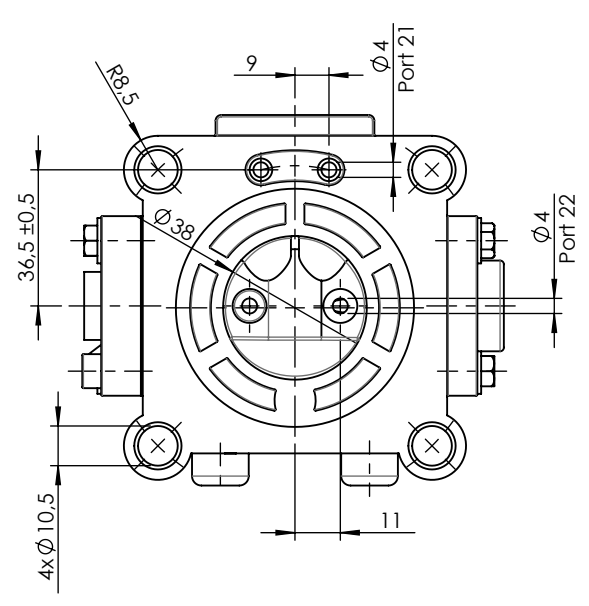
2

3

4

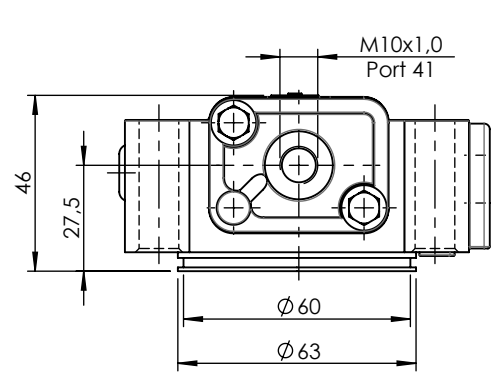
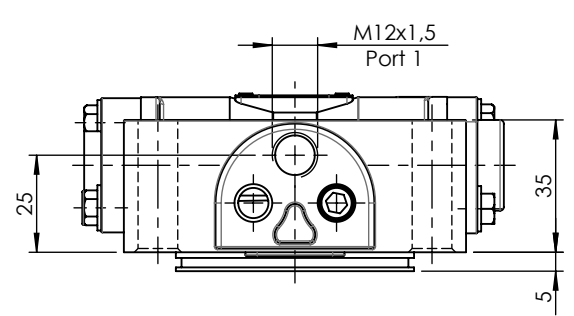
A

A



B

B

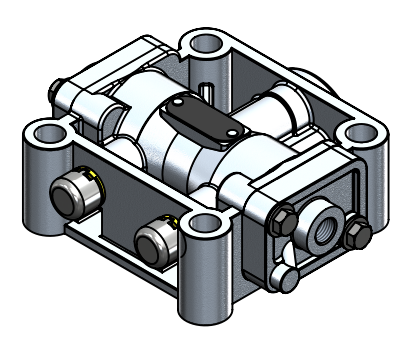
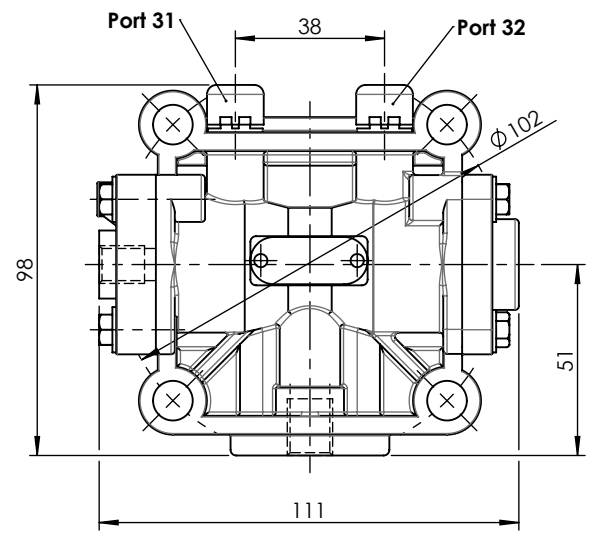


C

C

D

D



E

E

F	Modification	4				Drawn		F
		3				18/12/14 A.U.		
		2				Checked		
		1				18/12/14 A.L.		
	nº Modified	Date	Reason	General Tolerance	Assembly	-		
Comments				ISO 2768 c-K	Part name	Gearbox valve		
				Material	ID. Reference	2216200		
				-	Scale: 1/2		Sheet 2/2	
				-	Review: 0			