

1

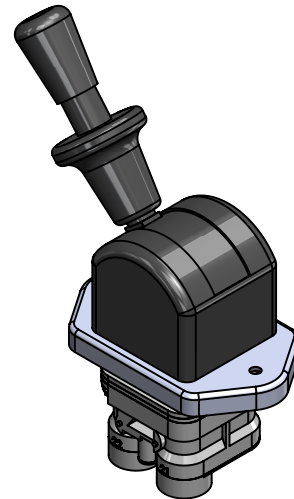
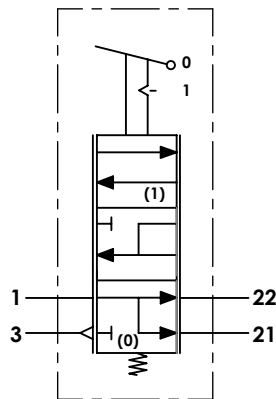
2

3

4

A Technical sheet / Datos técnicos:

| | |
|--|--------------------|
| Part number adaptable to / Referencia adaptable a | 9617232100 |
| Operating pressure / Presión de trabajo | max. 10 bar |
| Actuation angle / Ángulo de accionamiento | 85° |
| Permissible medium / Medio de funcionamiento | Air / Aire |
| Operating temperature range / Rango de temperatura | -40°C to / a +80°C |
| Weight / Peso | 600 gr |

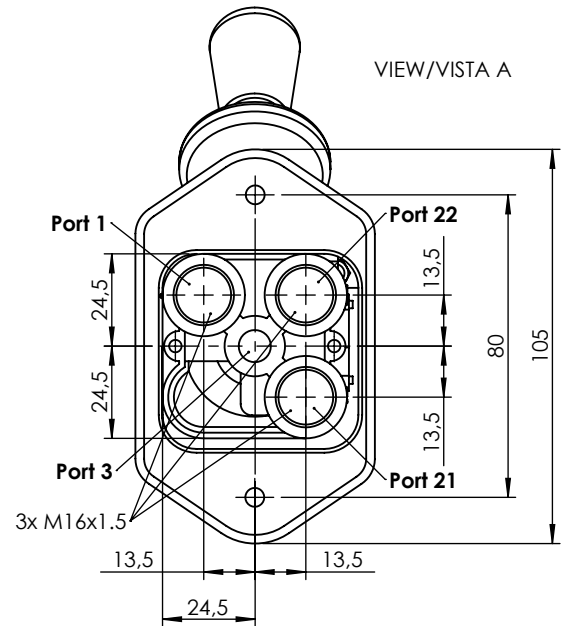
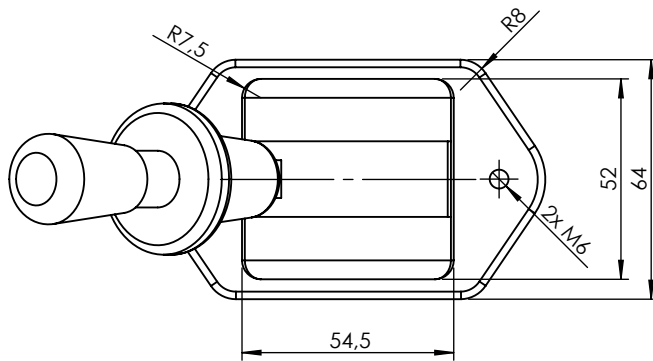
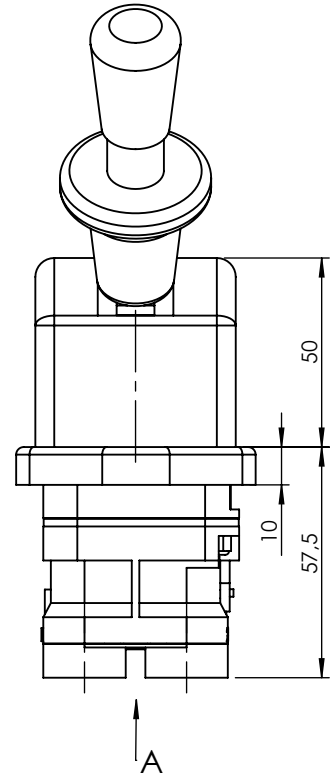
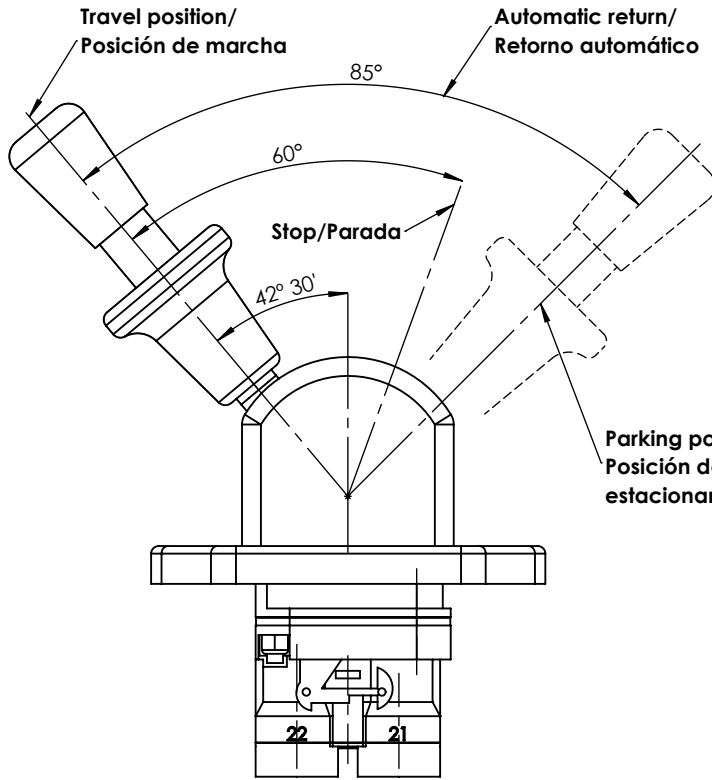


| Port / Conexión | Function / Función | Thread / Rosca |
|-----------------|---|----------------|
| 1 | Supply / Alimentación | M16x1.5 |
| 21 | Delivery to relay valve / Salida a válvula relé | M16x1.5 |
| 22 | Delivery to trailer control valve / Salida a válvula control remolque | M16x1.5 |
| 3 | Exhaust / Escape | - |

Purpose / Propósito: Parking braking actuation due to pressure release of spring brakes actuators. / Accionamiento del freno de estacionamiento gracias al alivio de la presión en las cámaras de muelle de los actuadores de freno.

Installation requirements / Requisitos para la instalación: The valve is fastened using two screws M6. / La válvula es fijada usando dos tornillos M6.

| | | | | | | | |
|----------|--------------|----|----------|------|----------|-------------------|------------------|
| F | Modification | 4 | | | | Drawn | |
| | | 3 | | | | 09/09/15 A.U. | |
| | | 2 | | | | Checked | |
| | | 1 | | | | 09/09/15 A.L. | |
| | | nº | Modified | Date | Reason | General Tolerance | |
| Comments | | | | | - | Part name | Hand brake valve |
| | | | | | Material | ID. Reference | 2224550 |
| | | | | | - | Scale: - | |
| | | | | | - | Review: 0 | |



| | | | | | | | |
|----------|--------------|----------|------|--------|-------------------|---------------|------------------|
| F | Modification | 4 | | | | Drawn | |
| | | 3 | | | | 09/09/15 A.U. | |
| | | 2 | | | | Checked | |
| | | 1 | | | | 09/09/15 A.L. | |
| | nº | Modified | Date | Reason | General Tolerance | Assembly | |
| Comments | | | | | ISO 2768 c-K | Part name | Hand brake valve |
| | | | | | Material | ID. Reference | 2224550 |
| | | | | | | Scale: 1/2 | |
| | | | | | | Review: 0 | |