

1

2

3

4

A

**Technical Sheet / Datos técnicos:**

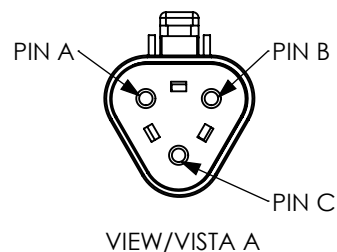
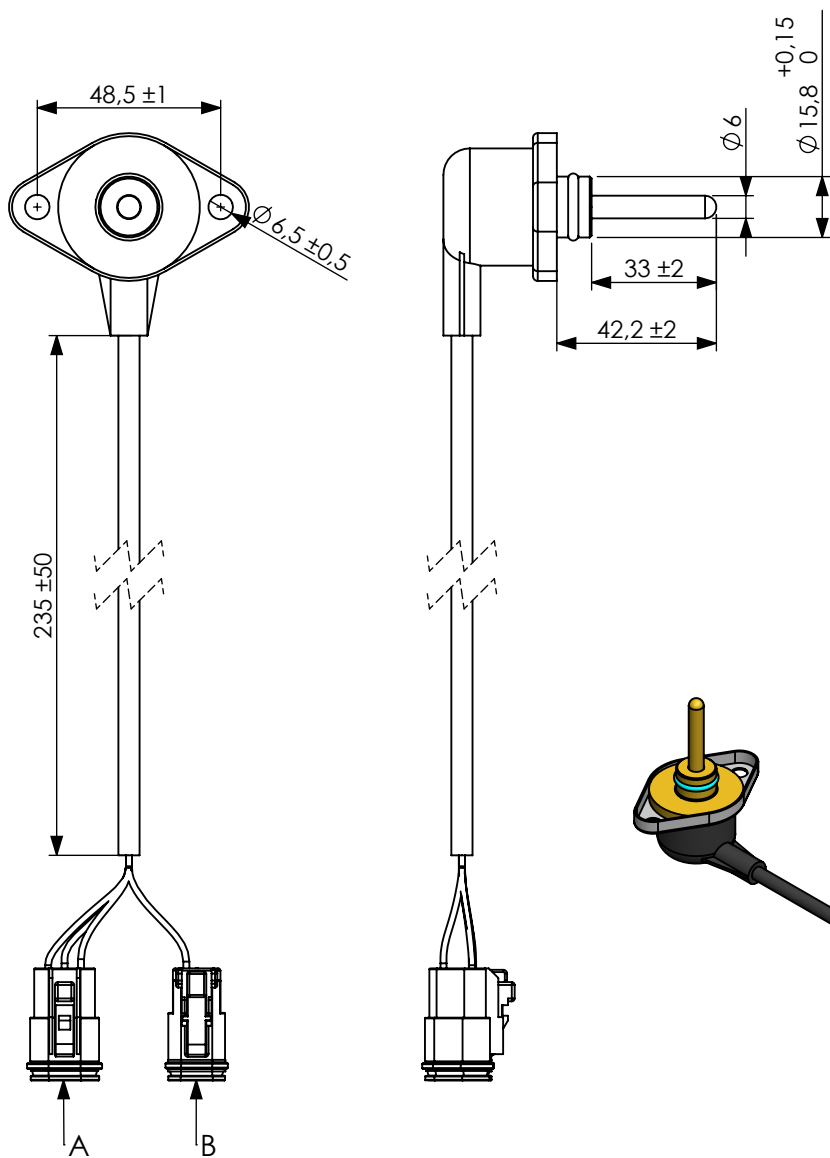
Reference adaptable to / Referencia adaptable a :	1862798
Operating temperature range / Rango de temperatura:	- 40°C a/to 80°C
Weight / Peso:	116,2 gr

PIN A	+5V
PIN B	GND/MASA
PIN C	PRESSURE SIGNAL/ SEÑAL DE PRESIÓN
PIN 1	TEMPERATURE SIGNAL/ SEÑAL DE TEMPERATURA

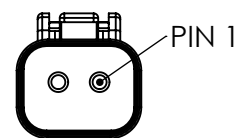
A

B

B



VIEW/VISTA A



VIEW/VISTA B

C

C

D

D

E

E

F

Modification	4				Drawn			
	3				17/07/20 S.F.			
	2				Checked			
	1				17/07/20 E.L.			
	nº	Modified	Date	Reason	General Tolerance	Assembly		
Comments					ISO 2768 c-K	Part name	Boost pressure sensor/Sensor MAP	
					Material	ID. Reference	2260248	
					-	Scale: 1/2		Sheet 1/1
					-	Review: 0		

F