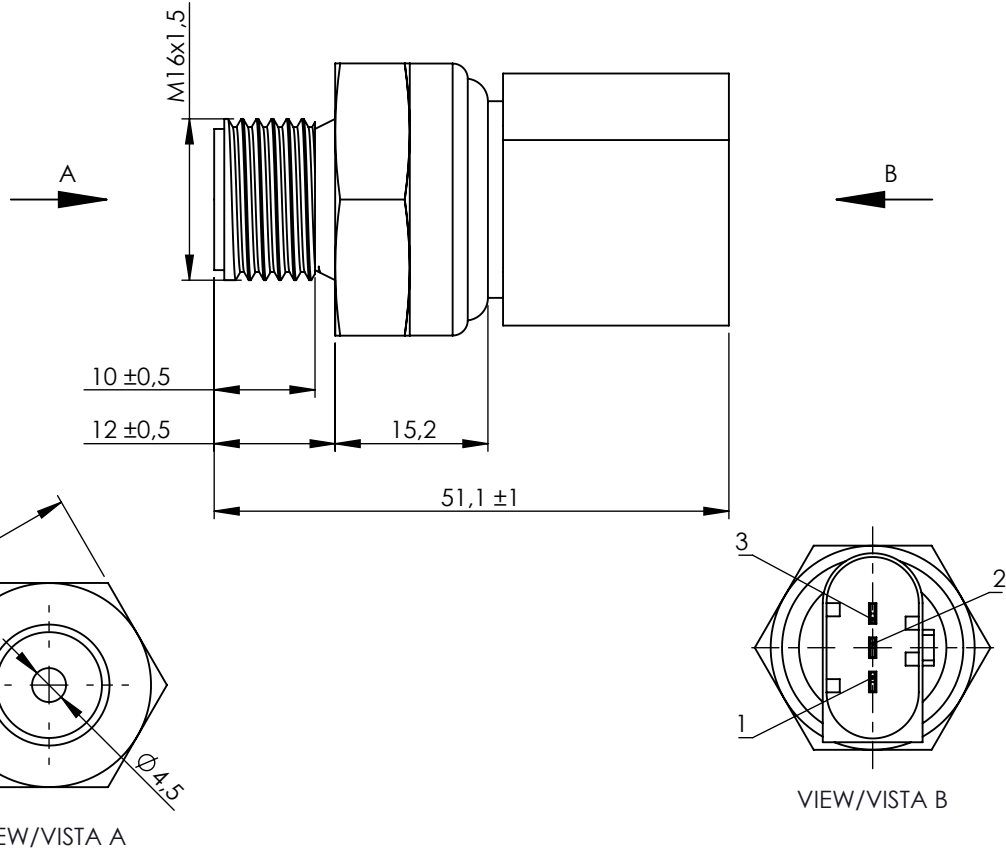


Technical data/ Datos técnicos:

| | |
|---|-----------------|
| According to/ En referencia a: | 007 153 08 28 |
| Measuring range/ Campo de medida: | 0 - 7 bar |
| Operating temperature range/Rango de temperatura: | -40°C a/to 80°C |
| Weight/ Peso: | 56 gr |

| | |
|-------|--------------|
| PIN 1 | + 5V |
| PIN 2 | GND/MASA |
| PIN 3 | SIGNAL/SEÑAL |



| | | | | | | | | |
|--------------|----|----------|------|--------|-------------------|---------------|-----------------------------------|-----------|
| Modification | 4 | | | | Drawn | | | |
| | 3 | | | | 08/07/20 S.F. | | | |
| | 2 | | | | Checked | | | |
| | 1 | | | | 08/07/05 E.L. | | | |
| | nº | Modified | Date | Reason | General Tolerance | | Assembly | |
| Comments | | | | | ISO 2768 c-K | Part name | Pressure switch/Sensor de presión | |
| | | | | | Material | ID. Reference | 2260262 | |
| | | | | | - | Scale: 1/1 | | Sheet 1/1 |
| | | | | | - | Review: 0 | | |