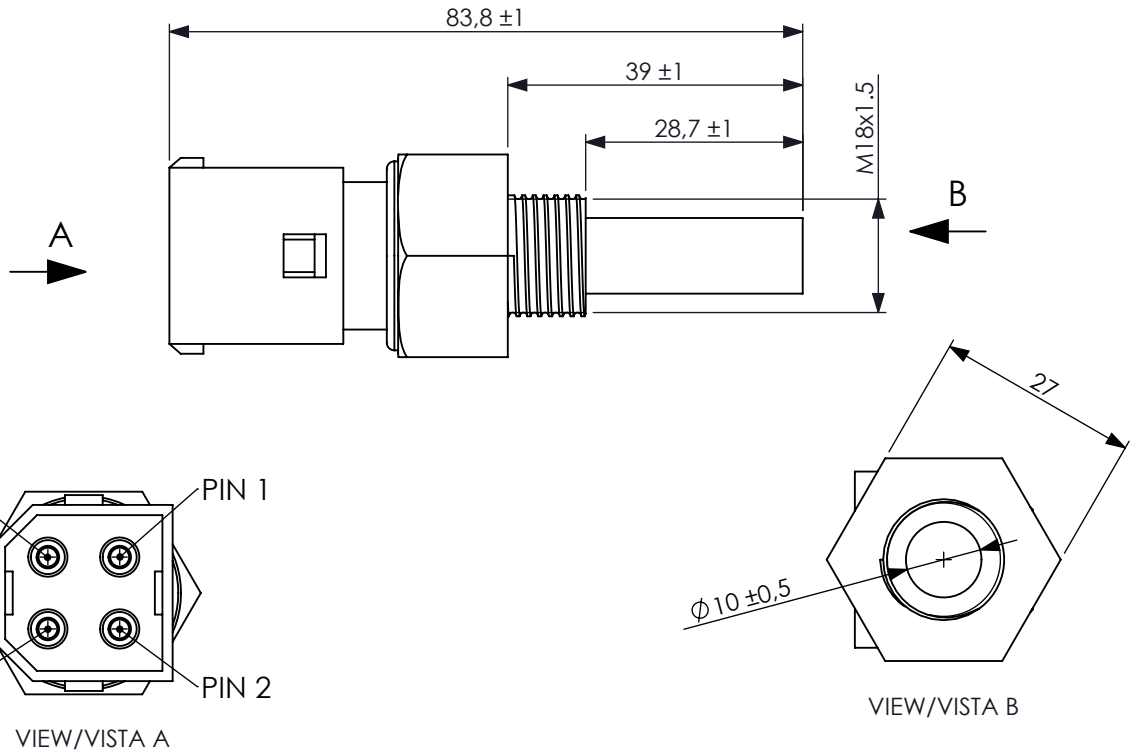


Technical data/ Datos técnicos:

According to/ En referencia a:	1610946
Operating temperature range/ Rango de temperatura:	-40°C a/to 80°C
Weight/Peso:	83,5 gr



F	Modification	4				Drawn		
		3				27/07/20 S.F.		
		2				Checked		
		1				27/07/20 E.L.		
	nº	Modified	Date	Reason	General Tolerance	Assembly		-
Comments					ISO 2768 c-K	Part name	Temperature sensor/Sensor de temperatura	
					Material	ID. Reference	2260391	
					-	Scale: 1/1		Sheet 1/1
					-	Review: 0		