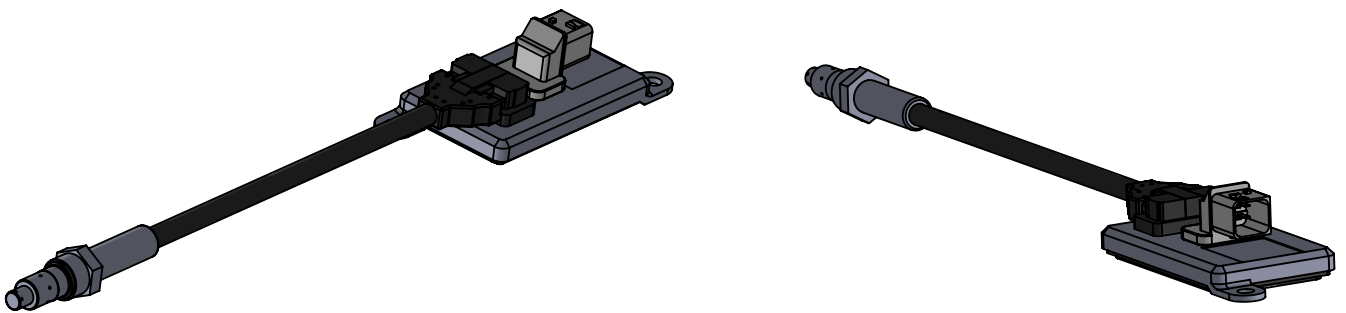
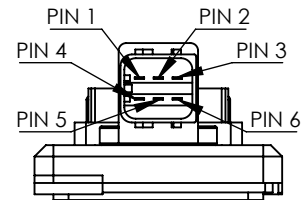
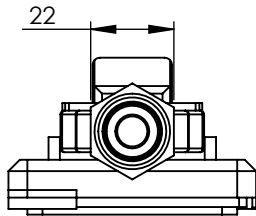
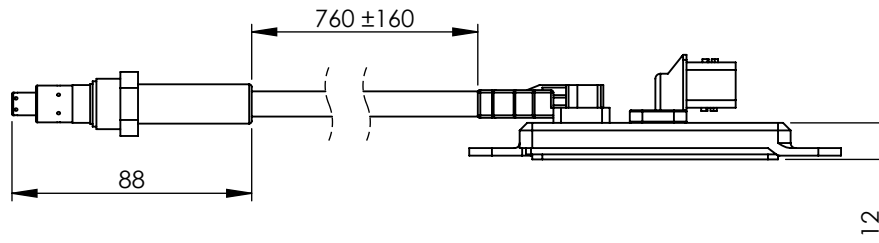
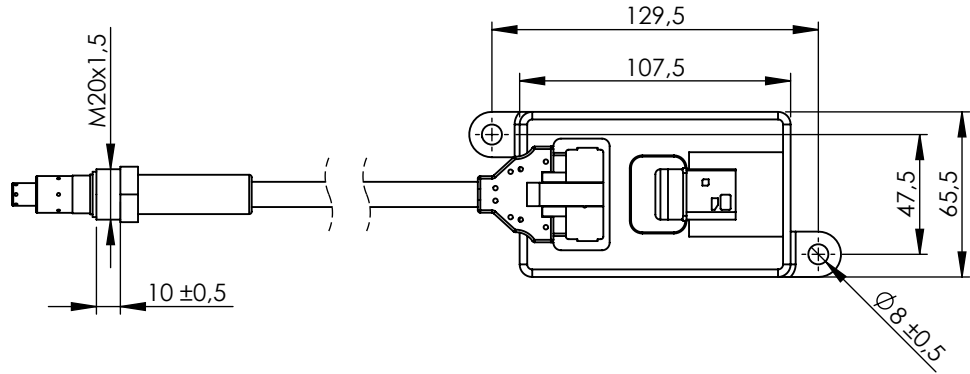


**Technical data/ Datos técnicos:**

|   |                 |
|---|-----------------|
| According to/ En referencia a:                    | 51154080017     |
| Operating temperature range/Rango de temperatura: | -40°C a/to 80°C |
| Weight/ Peso                                      | 337,5 gr        |

|       |                               |
|-------|-------------------------------|
| PIN 1 | +24V                          |
| PIN 2 | CAN H INPUT/<br>ENTRADA CAN H |
| PIN 3 | CAN H OUTPUT/<br>SALIDA CAN H |
| PIN 4 | GND/MASA                      |
| PIN 5 | CAN L INPUT/<br>ENTRADA CAN L |
| PIN 6 | CAN L OUTPUT/<br>SALIDA CAN L |



|              |    |          |      |        |                   |               |
|--------------|----|----------|------|--------|-------------------|---------------|
| Modification | 4  |          |      |        | Drawn             |               |
|              | 3  |          |      |        | 11/09/20 S.F.     |               |
|              | 2  |          |      |        | Checked           |               |
|              | 1  |          |      |        | 11/09/20 E.L.     |               |
|              | nº | Modified | Date | Reason | General Tolerance | Assembly      |
| Comments     |    |          |      |        | ISO 2768 c-K      | Part name     |
|              |    |          |      |        | Material          | ID. Reference |
|              |    |          |      |        | -                 | Scale: 1/3    |
|              |    |          |      |        | -                 | Review: 0     |



|                       |           |
|-----------------------|-----------|
| NOx sensor/Sensor NOx |           |
| 2269017               |           |
|                       | Sheet 1/1 |