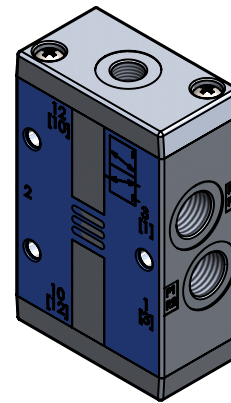
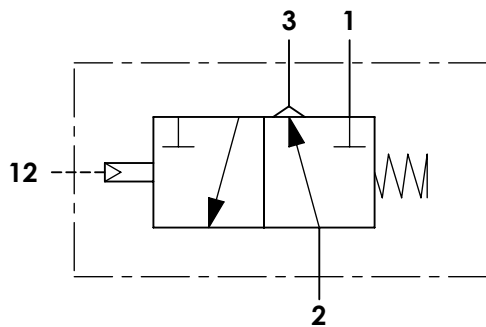


Technical sheet / Datos técnicos:

Part number adaptable to / Referencia adaptable a	5710400000
Operating pressure / Presión de trabajo	max. 10 bar
Permissible medium / Medio de funcionamiento	Air / Aire
Operating temperature range / Rango de temperatura	-25°C to / a +80°C
Weight / Peso	450 gr



Port / Conexión	Function / Función	Thread / Rosca
1	Supply / Alimentación	M14x1,5
12	Control / Pilotaje	M10x1,0
2	Delivery / Salida	M14x1,5
3	Exhaust / Escape	M14x1,5

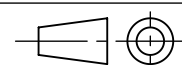
Purpose / Propósito:

To ventilate and to purge operating cylinders. / Ventilar y purgar los cilindros operativos.

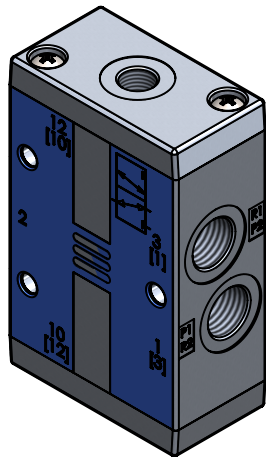
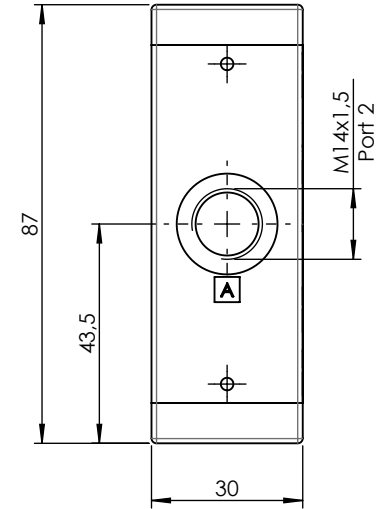
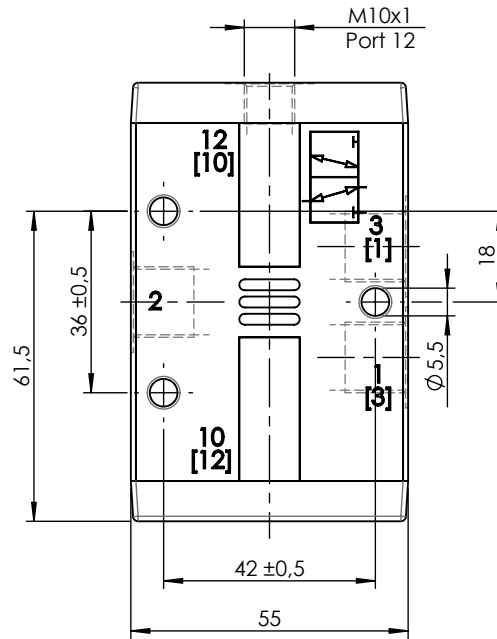
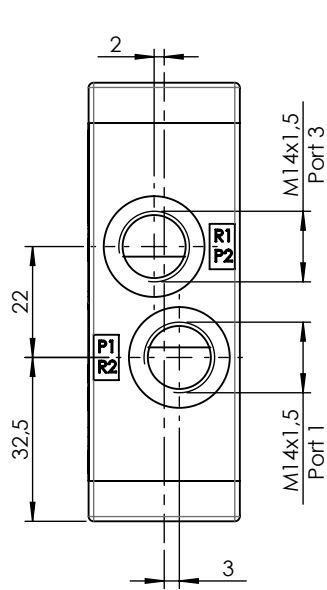
Installation requirements / Requisitos para la instalación:

Mounting is accomplished with three screws M5. / El montaje se realiza mediante tres tornillos M5.

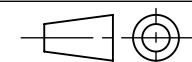
Modification	4				Drawn		
	3				22/01/18 J.S.		
	2				Checked		
	1				22/01/18 O.V.		
F	nº	Modified	Date	Reason	General Tolerance	Assembly	-
	Comments				-	Part name	3/2 ways valve
					Material	ID. Reference	2280104
					-	Scale: -	
					Review: 0		



Sheet
1/2



Modification	4				Drawn	
	3				22/01/18 J.S.	
	2				Checked	
	1				22/01/18 O.V.	
	n°	Modified	Date	Reason	General Tolerance	Assembly
Comments					ISO 2768 c-K	Part name
					Material	ID. Reference
					-	Scale: 2/3
						Review: 0



Sheet
2/2