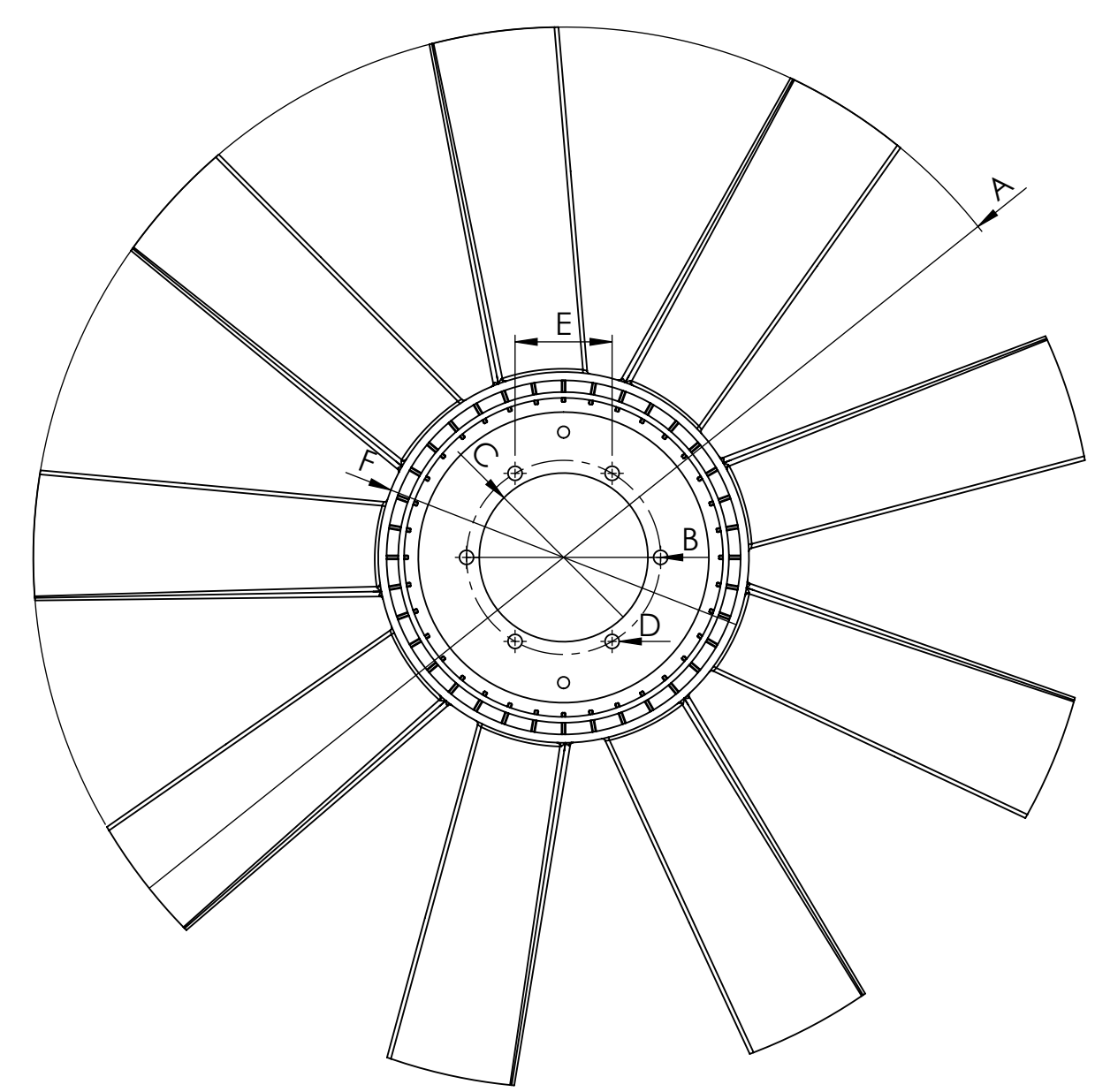
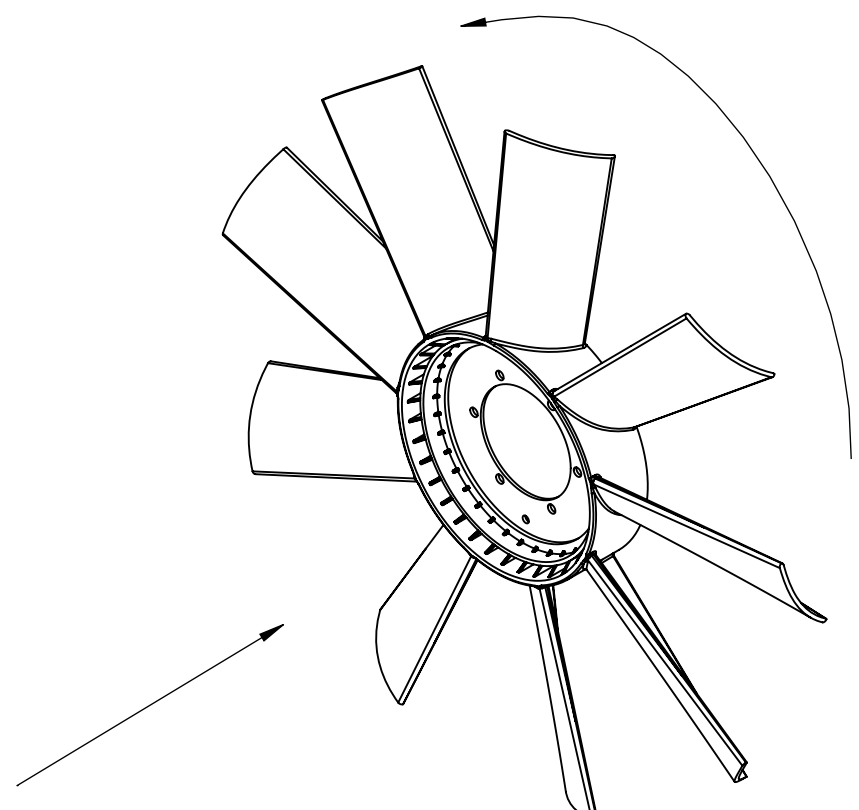




SECTION A-A



FAN WHEEL				
Dimensional values	Ref.n°	Value	Ref.n°	Value
	A	$\phi 635 \pm 3$ mm	G	59 ± 3 mm
	B	$\phi 116.2$ mm	H	26 ± 3 mm
	C	$\phi 101 +0.30$ mm	I	59 ± 3 mm
	D	6x $\phi 8.5$ mm		
	E	58.1 mm		
	F	$\phi 220 \pm 3$ mm		
Number of blades		9	Configuration	CCW

Modification n°	Modified	Date	Reason	Comments
3				
2				
1				

Drawn		
19/11/20 R.U.		
Checked		
19/11/20 A.R.	General Tolerance	ISO 2768 c-K
	Assembly Part name	Technical sheet
	ID. Reference	Fan wheel
	Scale: 1/4	7027402
	Review: 0	
		
		Sheet 1/1