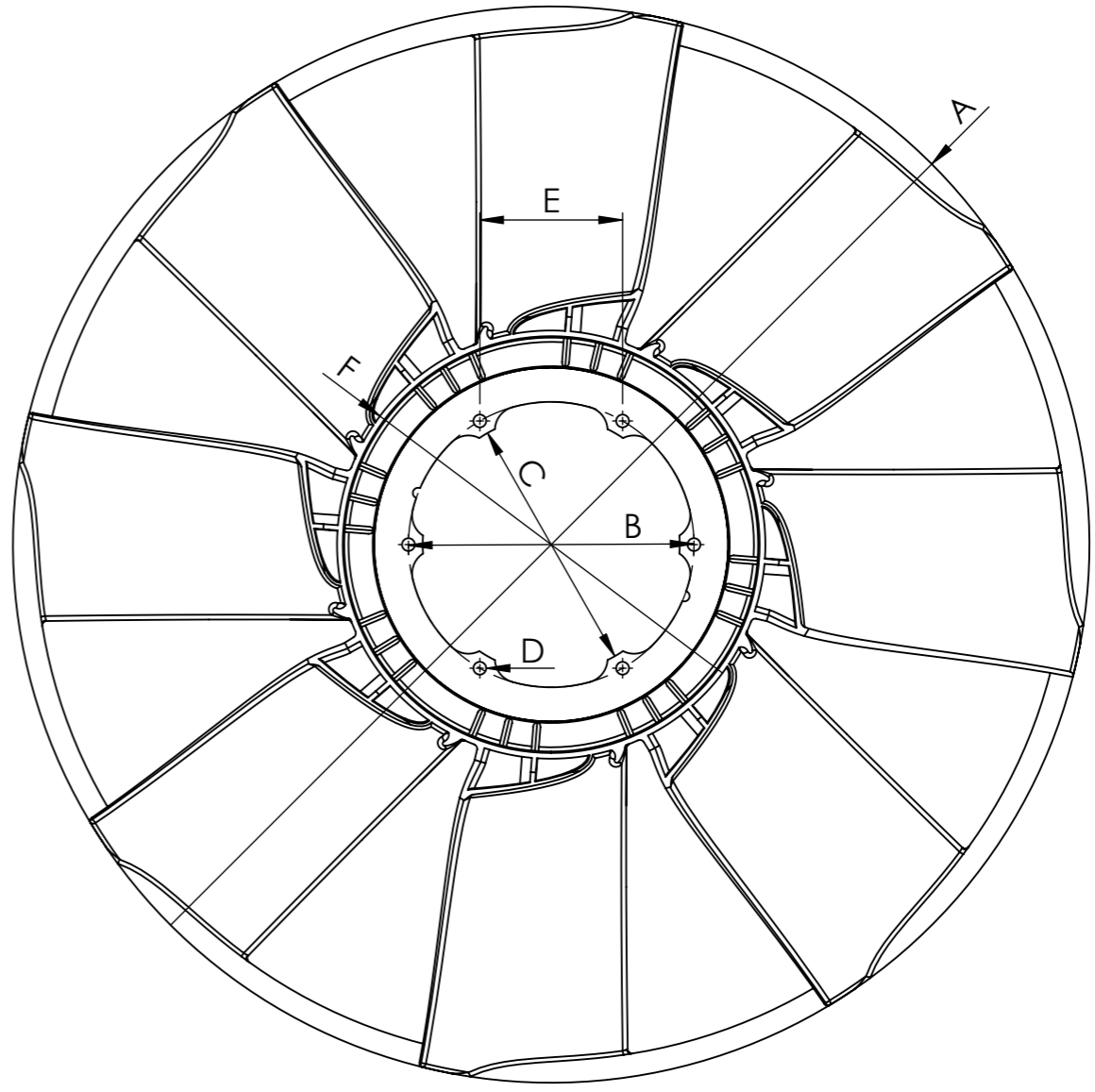
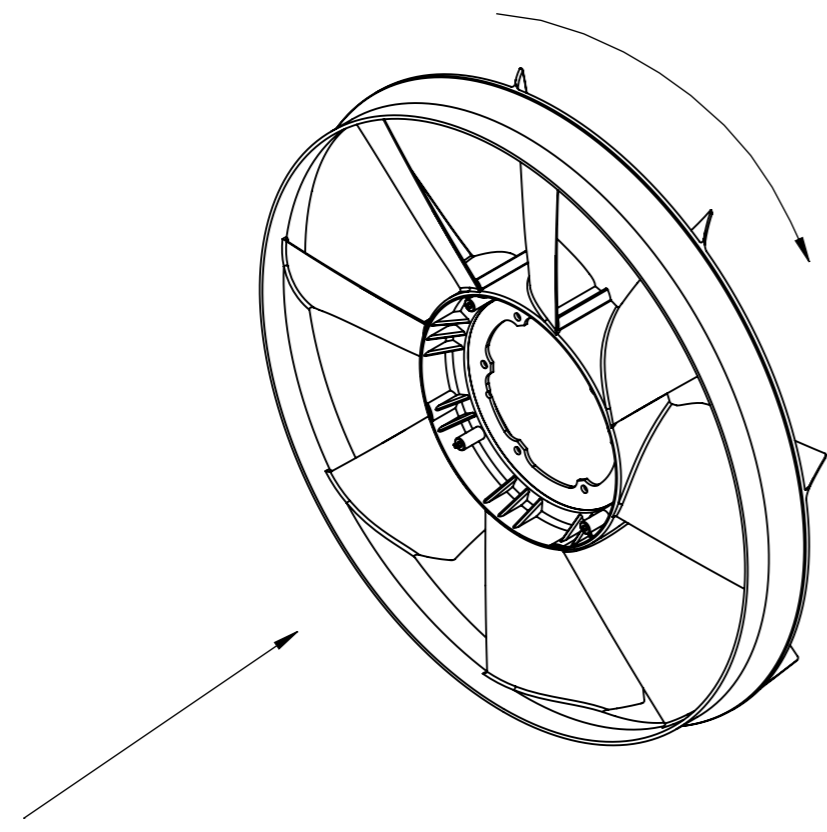


SECTION A-A



FAN WHEEL			
Ref.n°	Value	Ref.n°	Value
A	$\phi 750 \pm 3$ mm	G	85 ± 3 mm
B	$\phi 200.5$ mm	H	53 ± 3 mm
C	$\phi 180 +0,3 0$ mm	I	122.5 ± 3 mm
D	6x $\phi 9,3$ mm	J	$\phi 725 \pm 3$ mm
E	100.3 mm		
F	$\phi 299 \pm 3$ mm		
Number of blades		8	Configuration
			CW

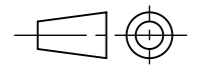
Modification n°	Modified	Date	Reason
4			
3			
2			
1	A.G.	15/05/20	Change sheet format and review dimensions.

Comments

Drawn
04/04/18 J.S.
Checked
04/04/18 A.C.

General Tolerance
ISO 2768 c-K
Material

Assembly
Part name Fan wheel
ID. Reference 7037120
Scale: 1/5
Review: 1



Sheet
1/1