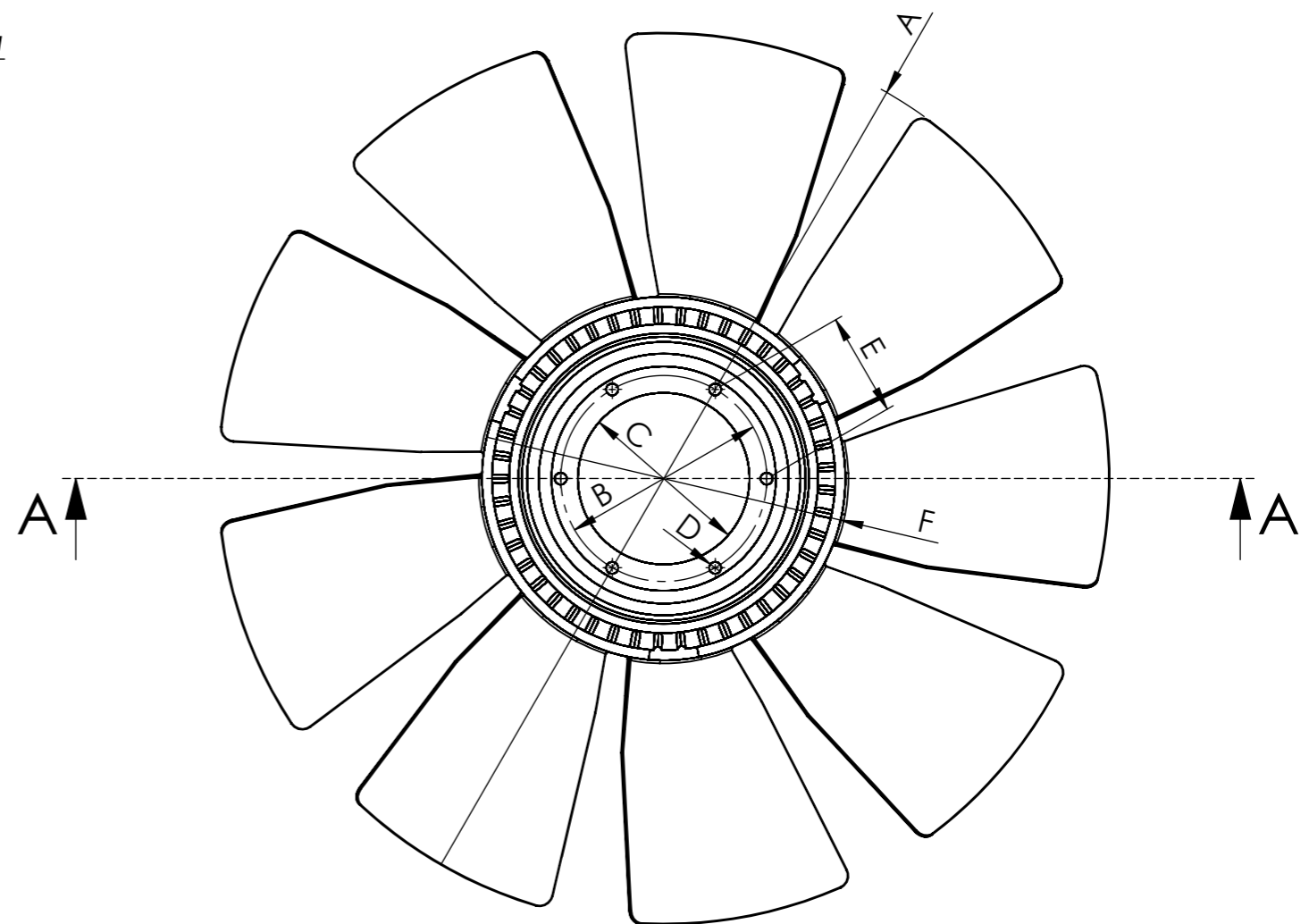
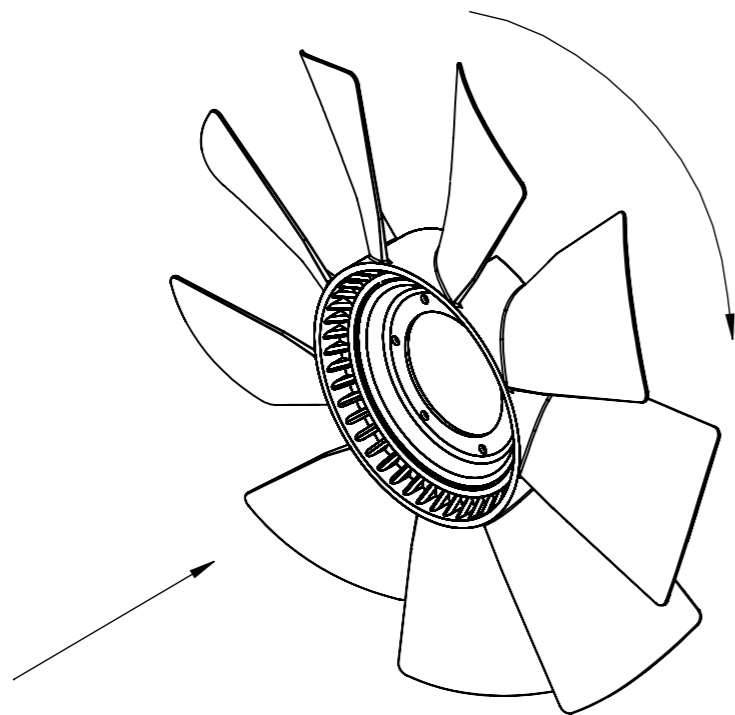


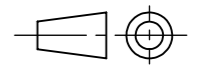
SECTION A-A



Dimensional values	FAN WHEEL			
	Ref.n°	Value	Ref.n°	Value
	A	$\phi 660 \pm 3$ mm	G	78 ± 3 mm
	B	$\phi 152,4$ mm	H	$31,5 \pm 3$ mm
	C	$\phi 127 +0,30$ mm	I	80 ± 3 mm
	D	6x $\phi 8,8$ mm		
	E	76,2 mm		
	F	$\phi 269 \pm 3$ mm		
	Number of blades		9	Configuration
				CW

Modification n°	Modified	Date	Reason	Comments	Drawn
					4
3					Checked
2					04/03/24 R.U.
1					

General Tolerance	ISO 2768 c-K	Assembly	Technical sheet
Material		Part name	Fan wheel
ID. Reference	7217100	Scale: 1/5	
Review: 0			



Sheet 1/1