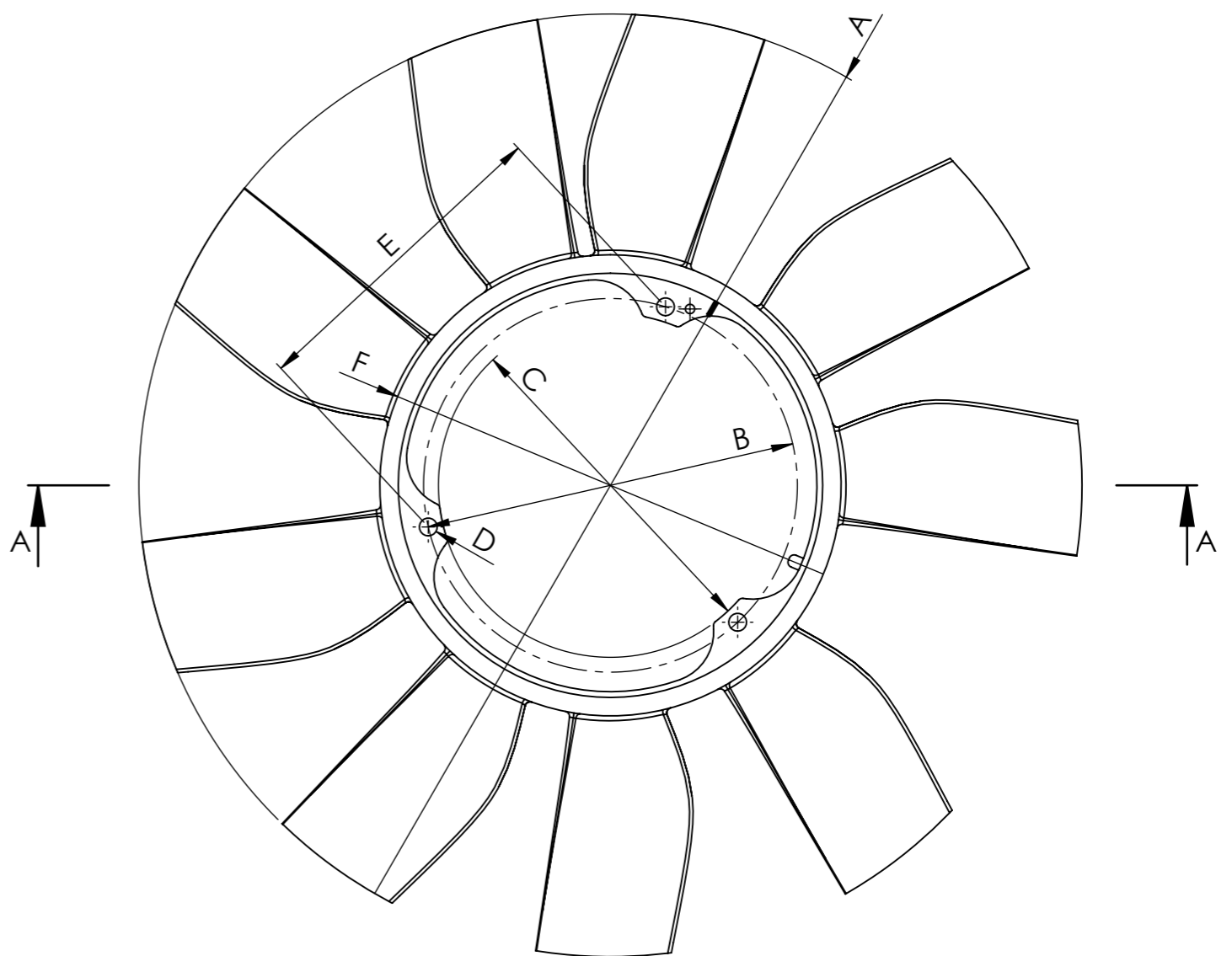
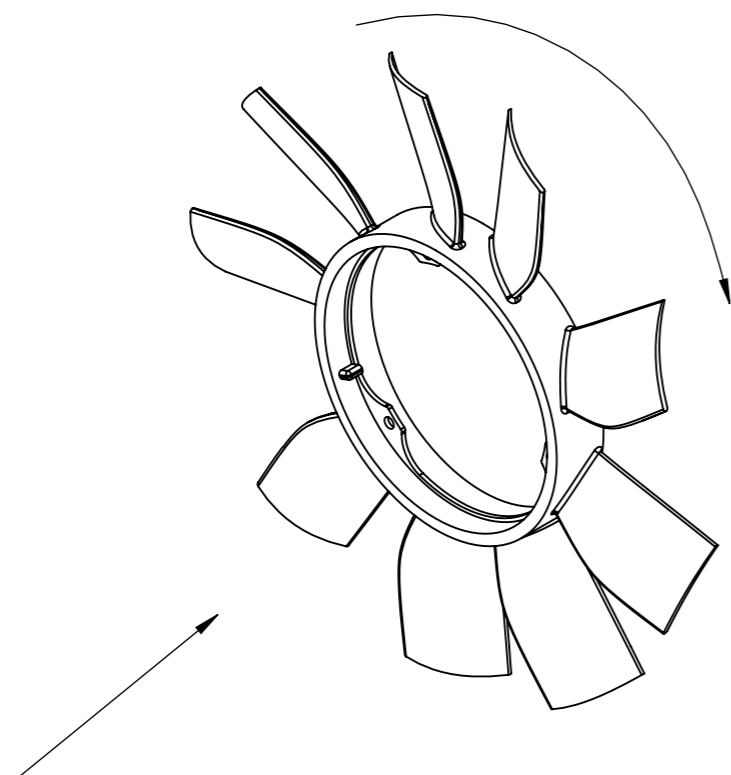


SECTION A-A



FAN WHEEL			
Ref.n°	Value	Ref.n°	Value
A	Ø370 ±3 mm	G	32.8 ±3 mm
B	Ø147 mm	H	19.4 ±3 mm
C	Ø135 +0.3 0 mm	I	36.8 ±3 mm
D	3x Ø6.5 mm		
E	127.3 mm		
F	Ø181 ±3 mm		
Number of blades		9	Configuration CW

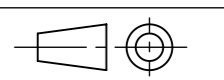
Modification n°	Modified	Date	Reason
4			
3			
2			
1			

Comments

Drawn
16/06/20 A.G.
Checked
16/06/20 R.U.

General Tolerance
ISO 2768 c-K
Material

Assembly
Part name
ID. Reference
Scale: 2/5
Review: 0



Sheet
1/1