

1

2

3

4

A

Technical Data/ Datos Técnicos:

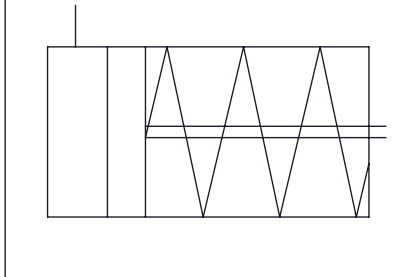
Part number adaptable to/ Referencia adaptable a:	4214100250
Hydraulic fluid/ Fluido hidráulico:	Air/Aire
Thermal range/ Rango de temperatura:	-40 °C to/ a 80 °C
Supply pressure/ Presión de alimentación:	max. 8 bar
Stroke/ Carrera:	25 mm
Weight/ Peso:	211 gr

B

B

C

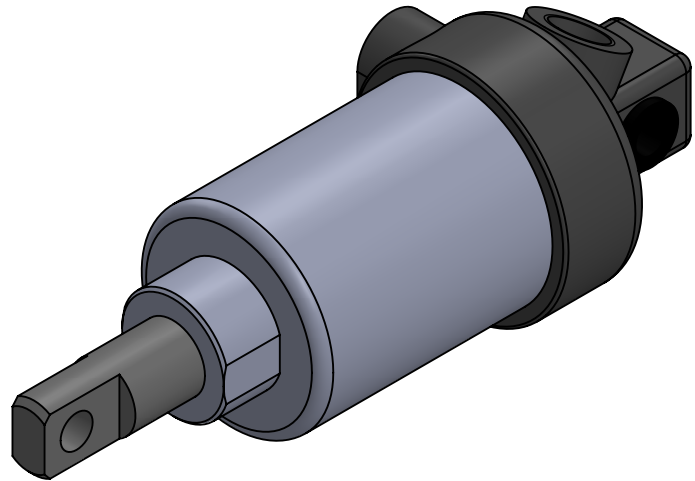
**Pneumatic scheme
/
Esquema neumático**



C

D

D



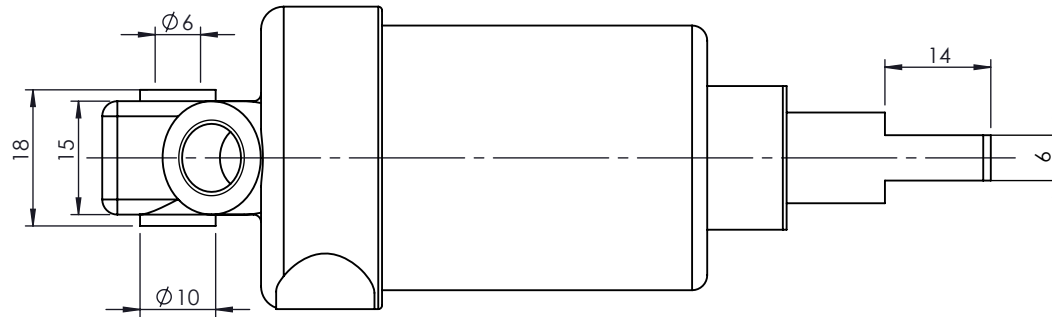
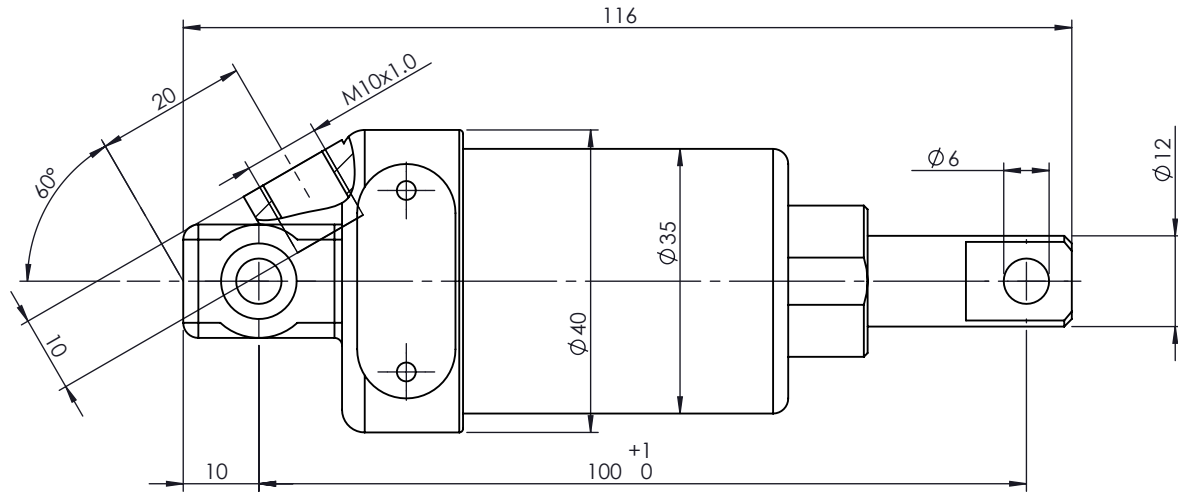
E

E

F

F

Modification	4				Drawn		
	3				02/09/20 S.F.		
	2				Checked		
	1				02/09/20 O.V.		
	nº	Modified	Date	Reason	General Tolerance		Assembly
Comments					-	Part name	Operating cylinder/Cilindro operacional
					Material	ID. Reference	2201100
					-	Scale: -	
					-	Review: 0	

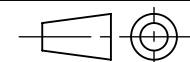


Modification	4				Drawn
	3				02/09/20 S.F.
	2				Checked
	1				02/09/20 O.V.
	nº	Modified	Date	Reason	General Tolerance
Comments					Assembly
					-
					Part name
					ID. Reference
					Scale: -
					Review: 0



Operating cylinder/Cilindro operacional

2201100



Sheet
2/2