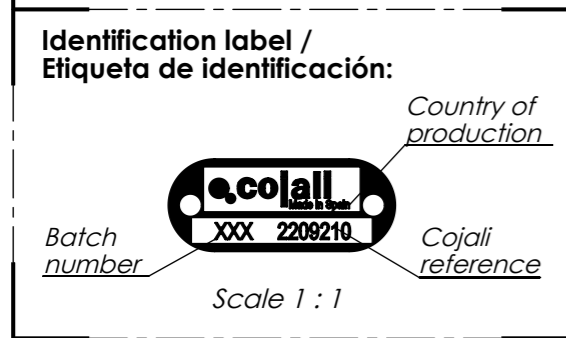
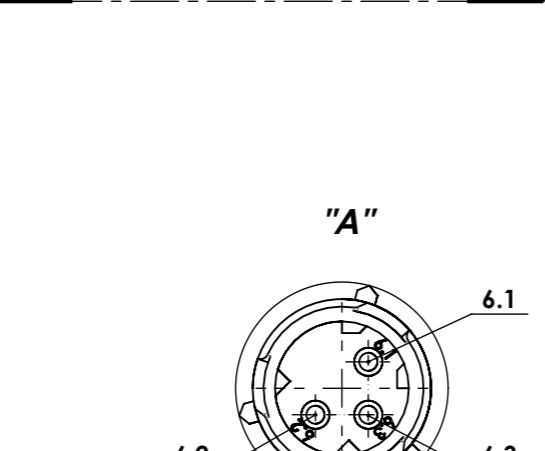
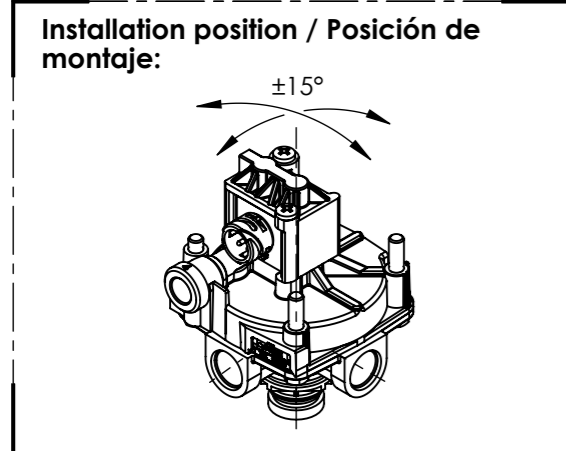
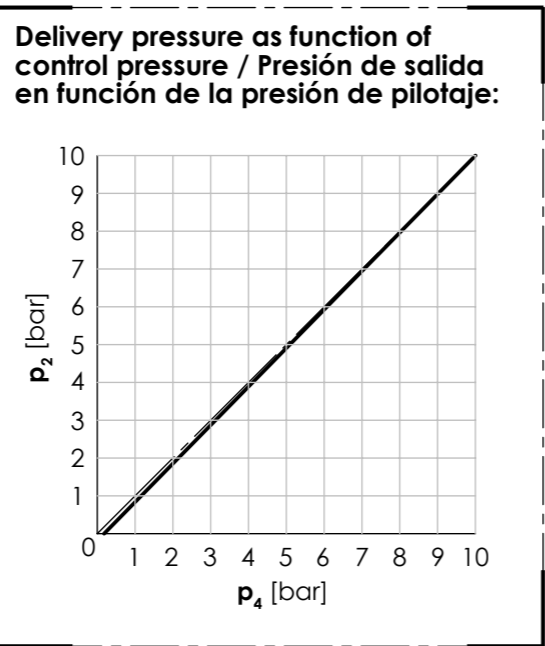
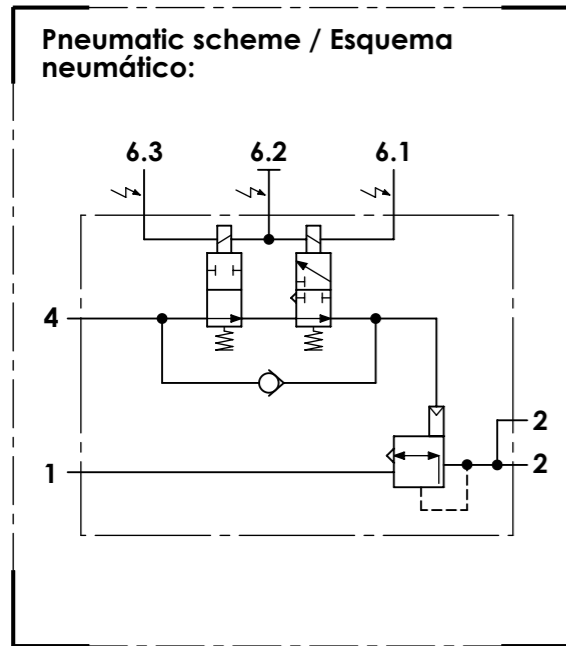


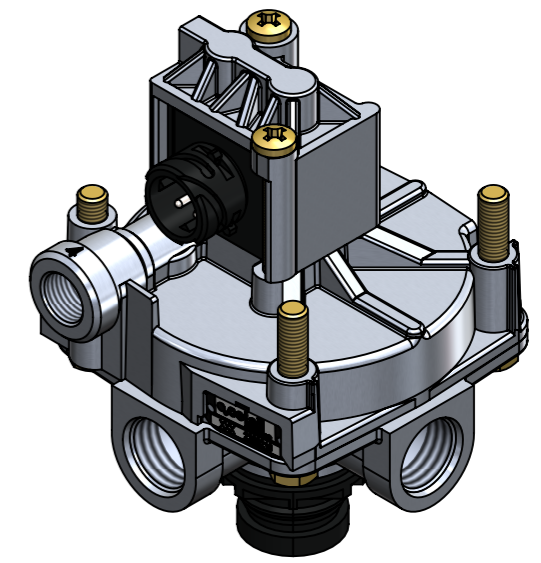
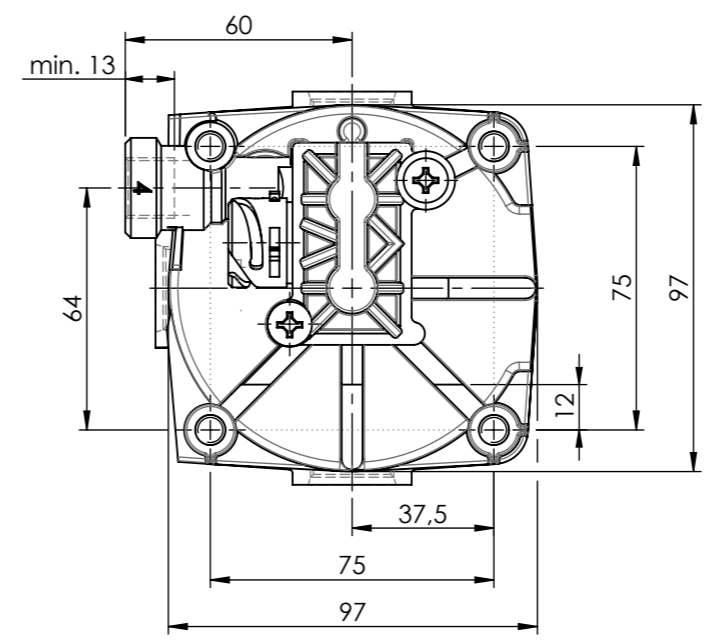
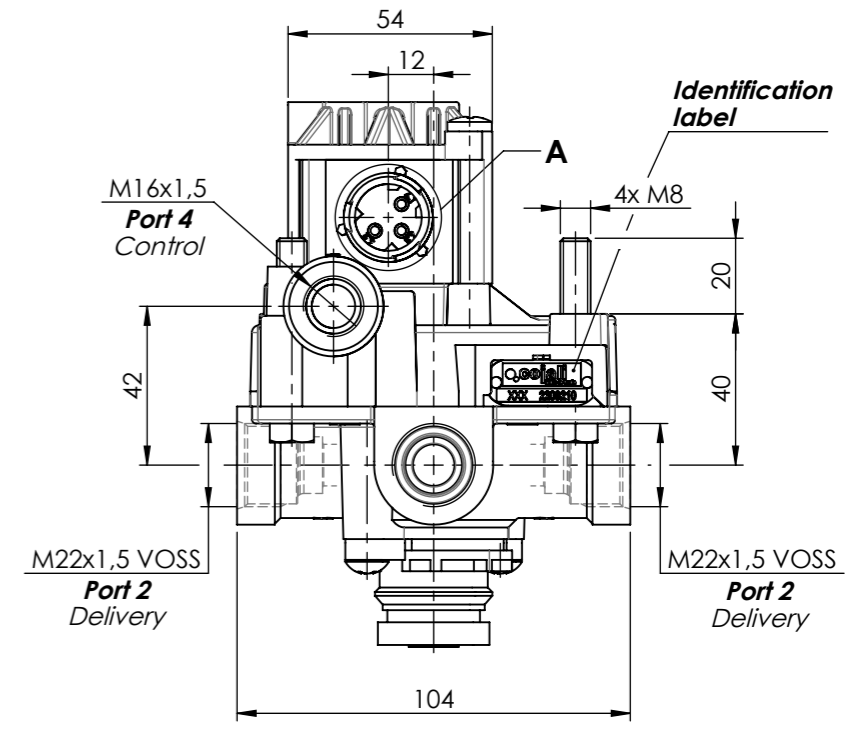
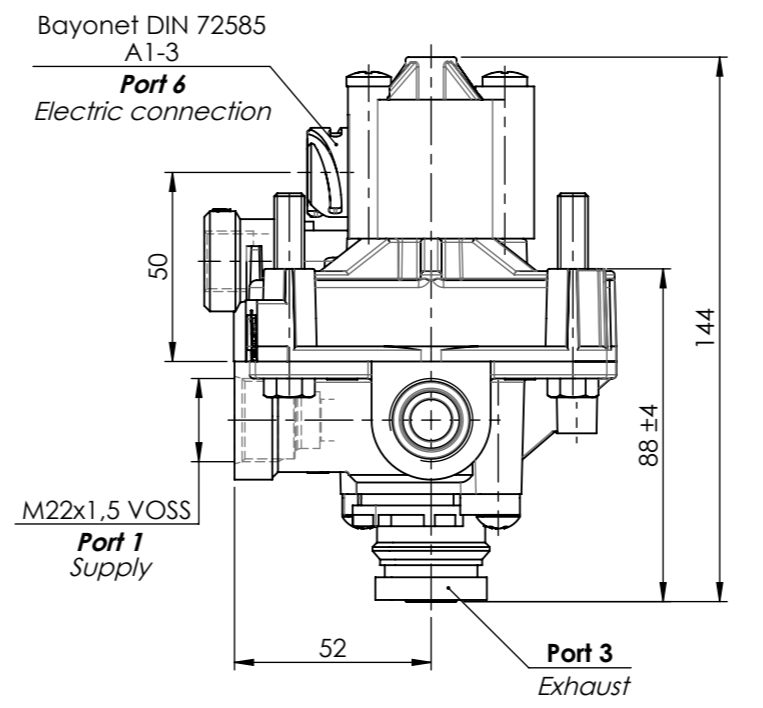
Technical data / Datos técnicos:

Part number adaptable to / Referencia adaptable a	4721950310
Operating pressure / Presión de trabajo	max. 10 bar
Voltage / Voltaje	24 V
Current consumption / Consumo de corriente	max. 1,65 A
Permissible medium / Medio de funcionamiento	Air / Aire
Operating temperature range / Rango de temperatura	-40°C to / a +80°C
Weight / Peso	950 gr



Torque for ports / Par de apriete en conexiones:

M16x1,5 : max. 34 Nm
M22x1,5 : max. 53 Nm



Modification	4			Drawn		<table border="1"> <tr> <td>Assembly</td> <td>-</td> </tr> <tr> <td>Part name</td> <td>ABS Modulator</td> </tr> <tr> <td>ID. Reference</td> <td>2209210</td> </tr> <tr> <td>Scale: 1/2</td> <td></td> </tr> <tr> <td>Review: 1</td> <td></td> </tr> </table>	Assembly	-	Part name	ABS Modulator	ID. Reference	2209210	Scale: 1/2		Review: 1	
	Assembly	-														
	Part name	ABS Modulator														
	ID. Reference	2209210														
Scale: 1/2																
Review: 1																
3			12/08/15 A.U.													
2			Checked													
1	A.S.	21/03/22	Modify format of technical sheet	12/08/15 A.L.												
Comments				General Tolerance												
				ISO 2768 v-K												
				Material												

A
B
C
D
E
F

A
B
C
D
E
F