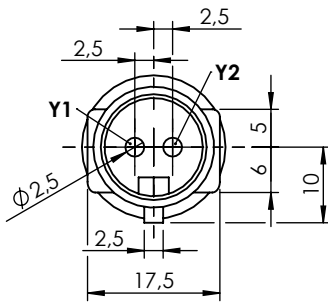
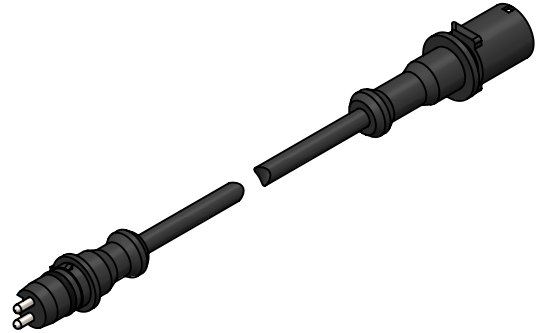


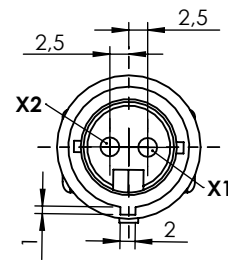
**Technical sheet/ Datos técnicos:**

Part number adaptable to / Referencia adaptable a:	4497120380
Operating temperature range / Rango de temperatura:	-40°C to / a 80°C
Weight / Peso:	160 gr

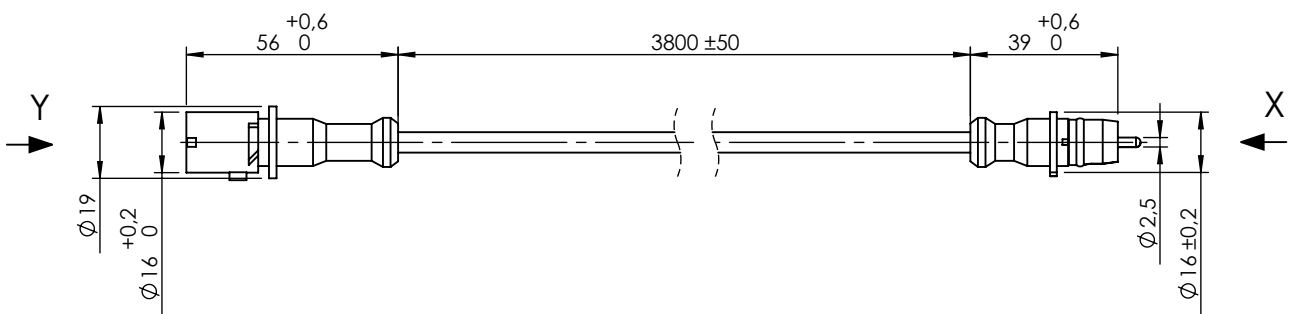
Continuity between pins / Continuidad entre pines	
2 pin connector-male	2 pin connector-female
X1	Y1
X2	Y2



VIEW / VISTA Y  
SCALE / ESCALA 1:1



VIEW / VISTA X  
SCALE / ESCALA 1:1



Modification	4				Drawn		
	3				25/08/20 S.F.		
	2				Checked		
	1	S.F.	30/03/22	Change sheet format	25/08/20 E.L.		
	nº	Modified	Date	Reason	General Tolerance	Assembly	
Comments					ISO 2768 c-K	Part name	Speed sensor cable
					Material	ID. Reference	2260005
					-	Scale: 1/2	
					-	Review: 1	

