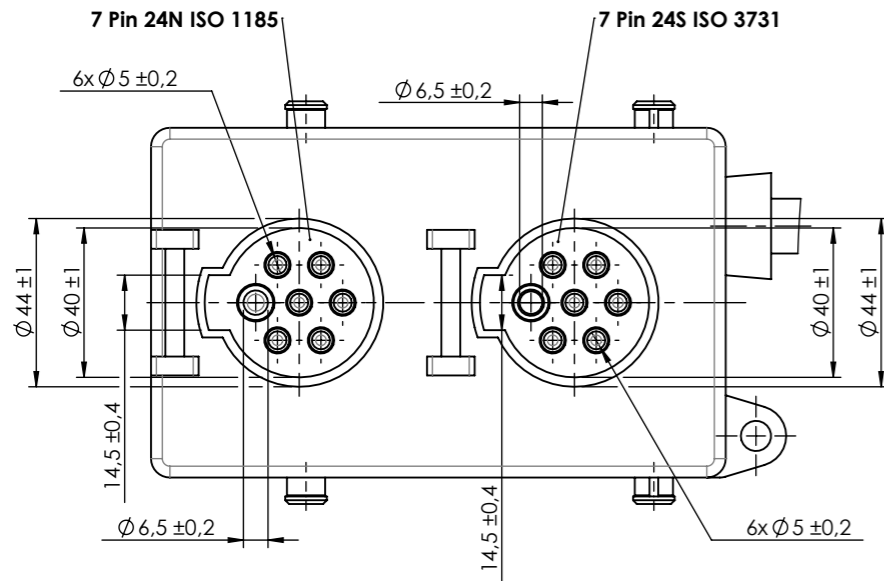
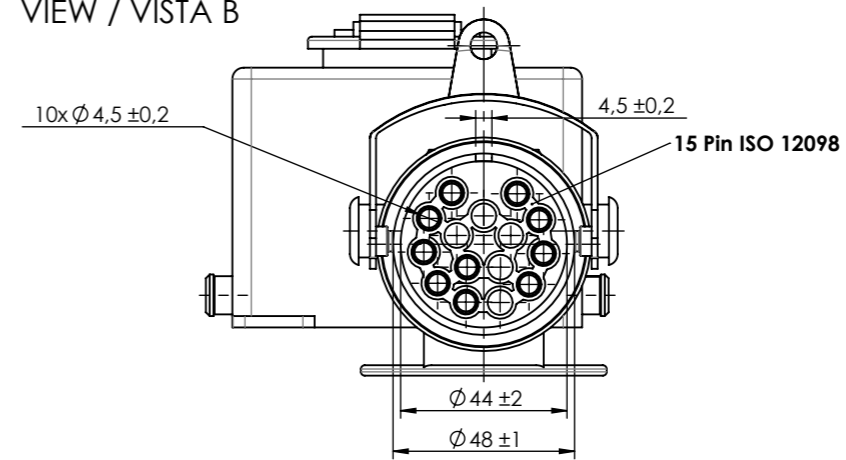


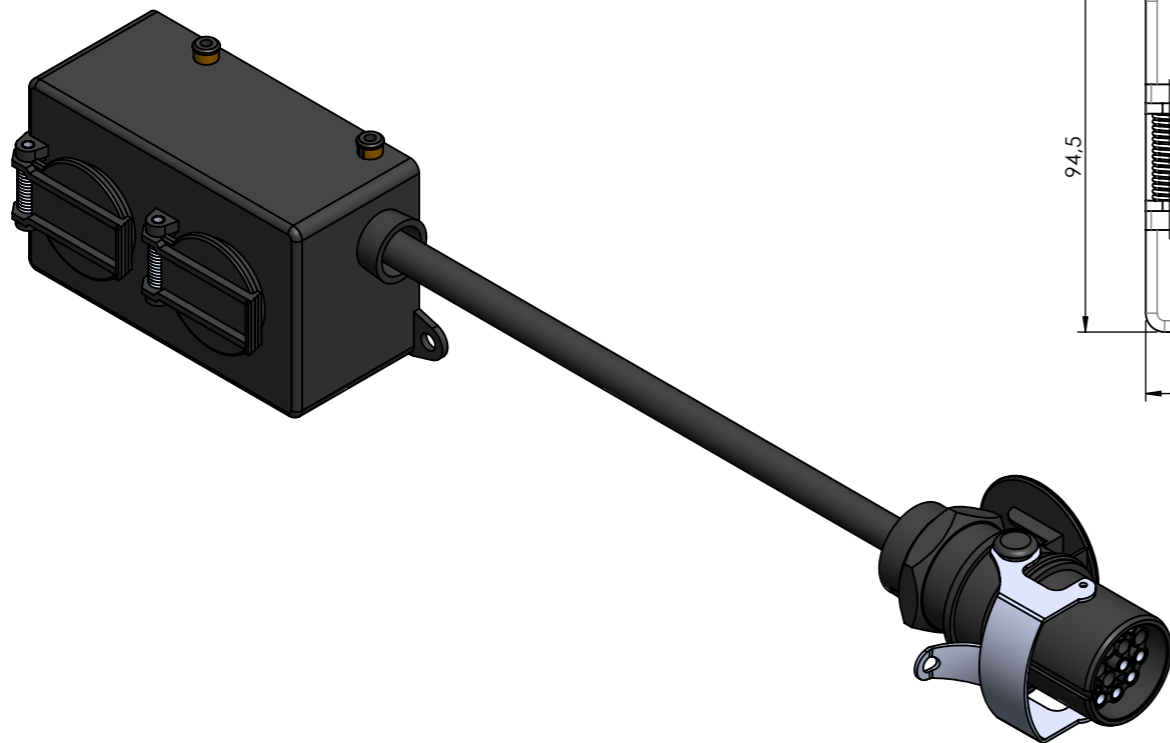
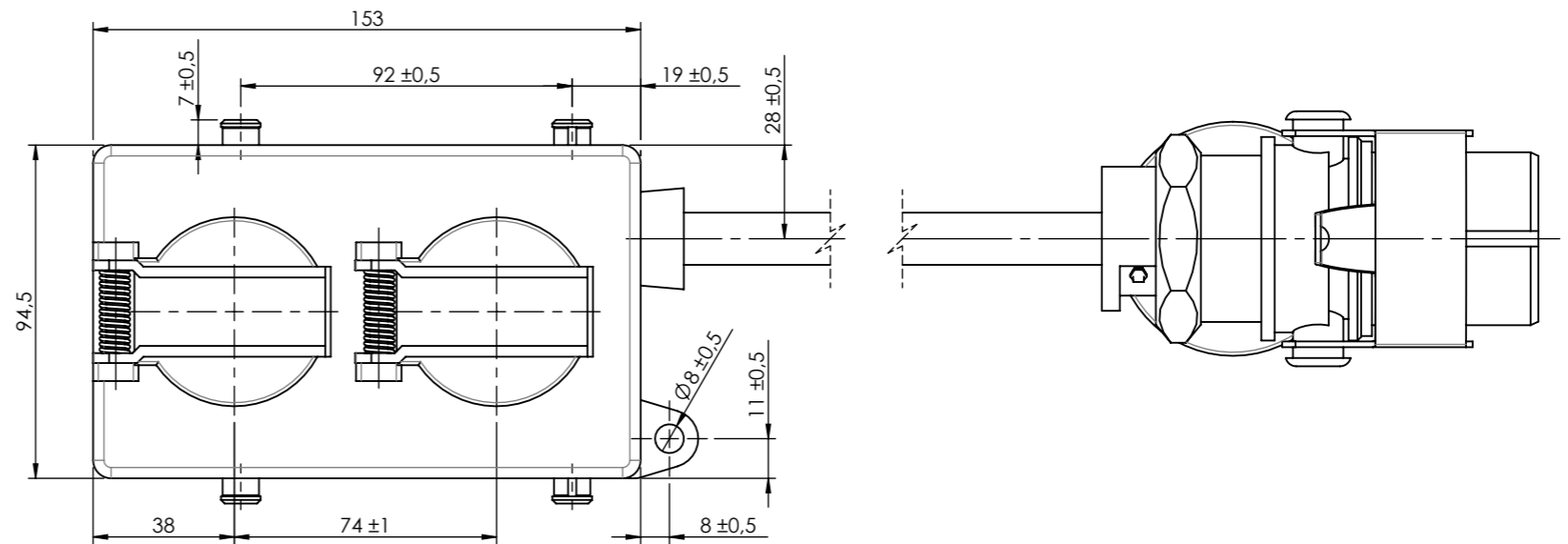
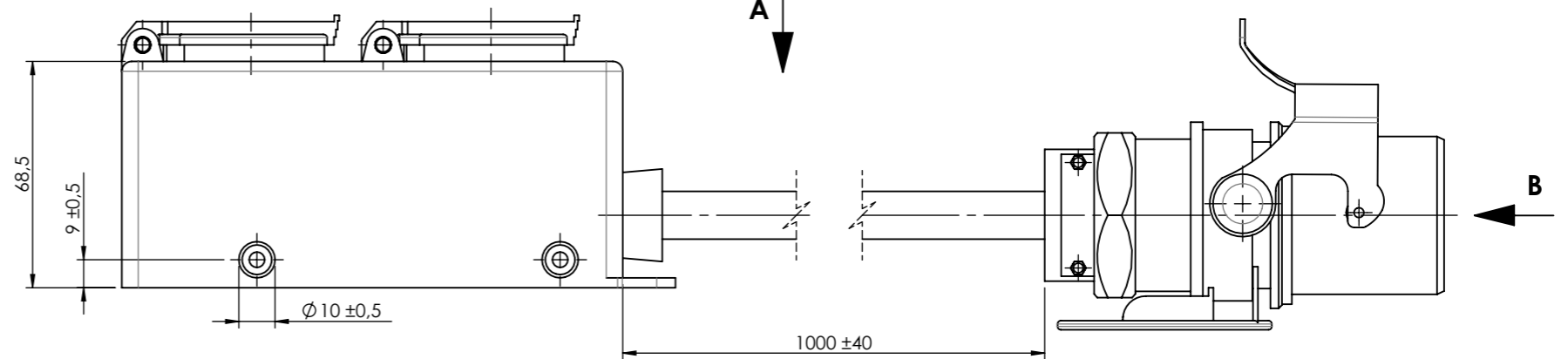
**Technical data/ Datos técnicos:**

According to/ En referencia a:	0005452084
Operating temperature range/ Rango de temperatura:	-40°C to/a 80°C
Weight/ Peso:	1234,5 gr

VIEW / VISTA B



VIEW / VISTA A



Modification	4			Drawn		
	3			23/11/20 J.S.		
	2			Checked		
	1			23/11/20 E.L.		
	nº Modified	Date	Reason	General Tolerance	Assembly	
Comments				ISO 2768 c-K	Part name	-
				Material	ID. Reference	Serpentine adapter 15Terminal to 7S/7N trailer / Adaptador serpentina 15PIN a 7S/7N remolque
				-	Scale: 1/2	2260111
				Review: 0		Sheet 1/2

1

2

3

4

A

A

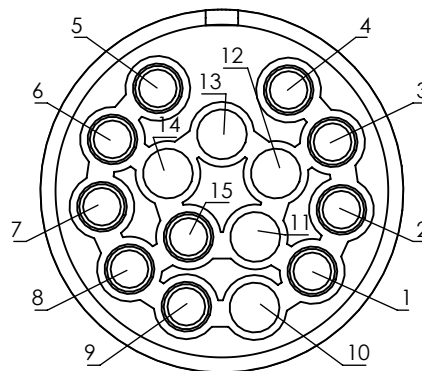
Continuity between pins / Continuidad entre pines		
15 Pin ISO 12098	7 Pin 24N ISO 1185 (Black)	7 Pin 24S ISO 3731 (White)
1	5	-
2	3	-
3	-	7
4	1	1
5	6	-
6	2	-
7	4	-
8	-	5
9	-	2, 4
10	-	-
11	-	-
12	-	-
13	-	-
14	-	-
15	7	-

B

B

C

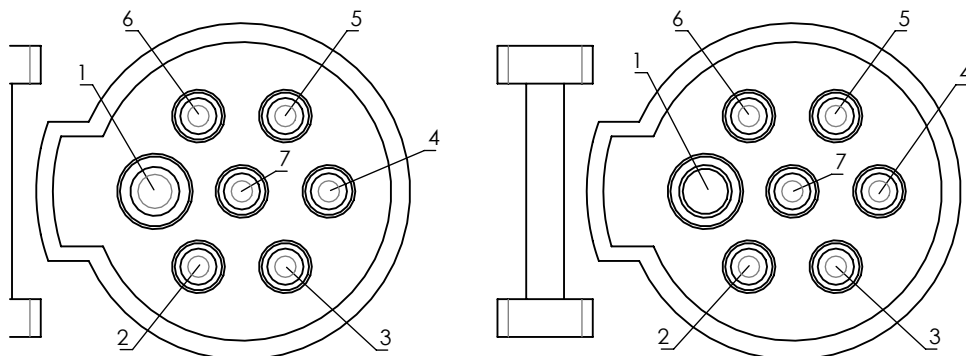
C



15 Pin ISO 12098

D

D



7 Pin 24N ISO 1185

7 Pin 24S ISO 3731

E

E

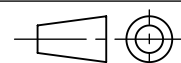
F

F

Modification	4				Drawn
	3				23/11/20 J.S.
	2				Checked
	1				23/11/20 E.L.
nº	Modified	Date	Reason	General Tolerance	Assembly
Comments				ISO 2768 c-K	Part name
				Material	ID. Reference
				-	Scale: 1/1
					Review: 0

Serpentine adapter 15Terminal to 7S/7N trailer /  
Adaptador serpentina 15PIN a 7S/7N remolque

2260111

Sheet  
2/2