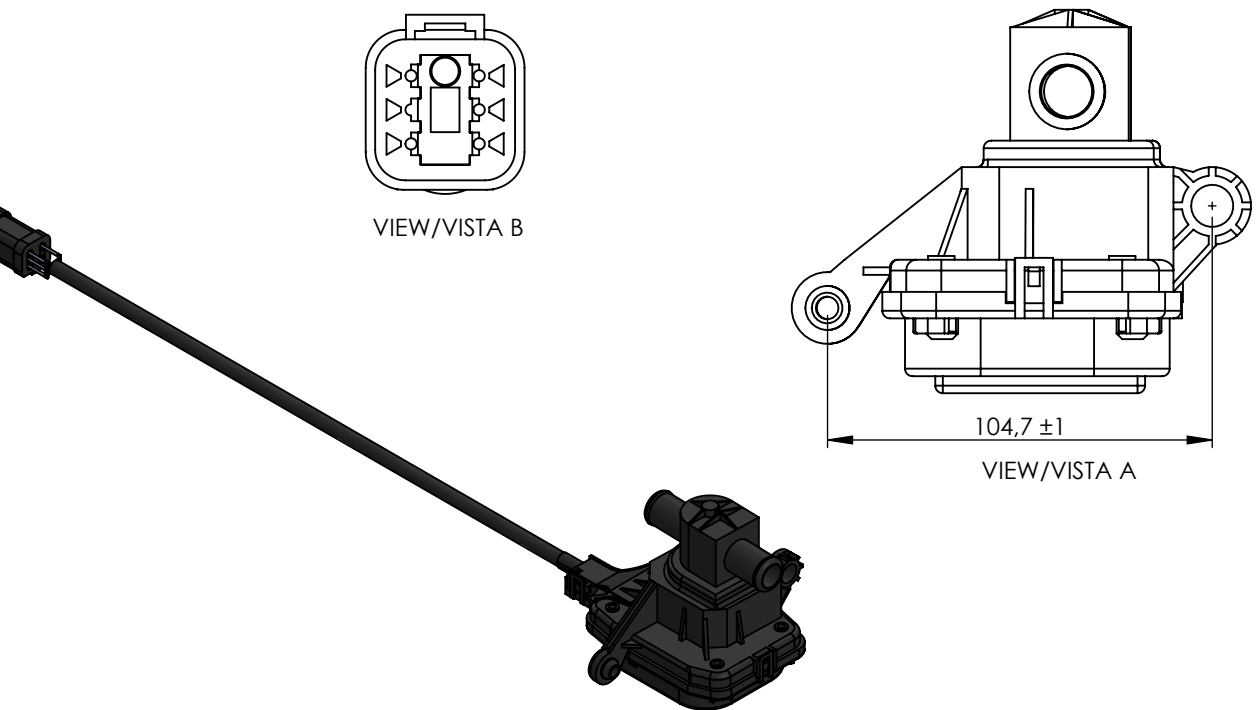
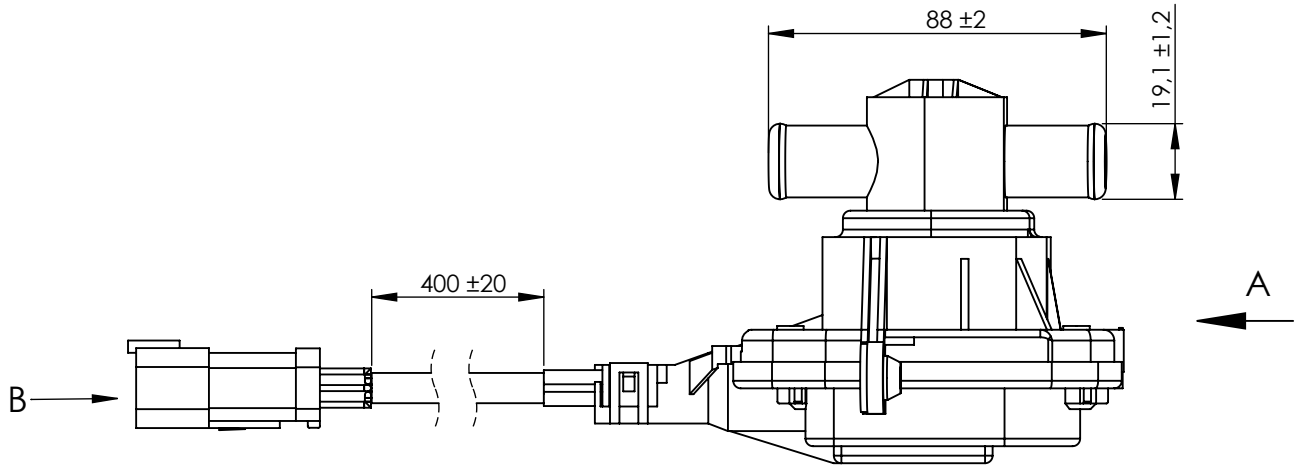


Technical data/ Datos técnicos:

According to/En referencia a:	1741027
Operating temperature range/ Rango de temperatura:	-40°C a/to 80°C
Weight/Peso:	363 gr

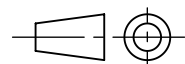


Modification	4				Drawn	
	3				31/08/20 S.F.	
	2				Checked	
	1				31/08/20 E.L.	
	nº	Modified	Date	Reason	General Tolerance	Assembly
Comments					ISO 2768 c-K	Part name
					Material	ID. Reference
					-	Scale: 1/2
						Review: 0



Solenoid valve climate control ad./
Electroválvula calefacción

2260247



Sheet
1/1