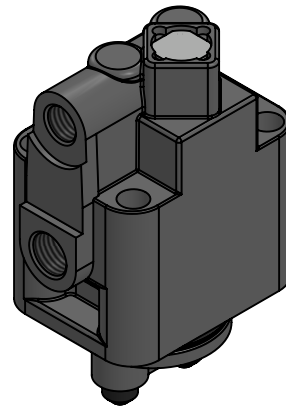
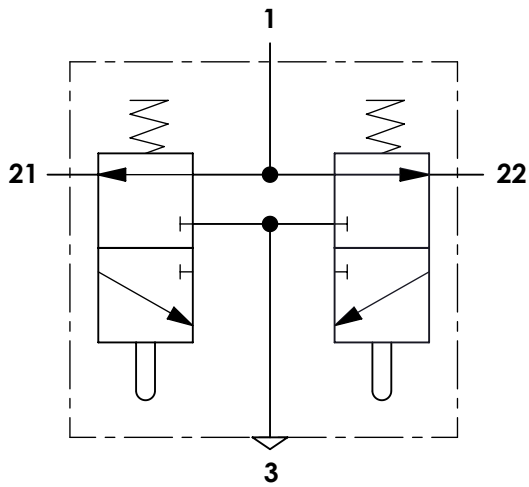


## Technical sheet / Datos técnicos:

|  |                     |
|--|---------------------|
| Part number adaptable to / Referencia adaptable a  | SV3368              |
| Operating pressure / Presión de trabajo            | max. 10 bar         |
| Permissible medium / Medio de funcionamiento       | Air / Aire          |
| Operating temperature range / Rango de temperatura | -25°C to / a +150°C |
| Weight / Peso                                      | 400 gr              |



| Port / Conexión | Function / Función    | Thread / Rosca |
|-----------------|-----------------------|----------------|
| 1               | Supply / Alimentación | M12x1,5        |
| 21              | Delivery / Salida     | M14x1,5        |
| 22              | Delivery / Salida     | M14x1,5        |
| 3               | Exhaust / Escape      | -              |

## Installation requirements / Requisitos para la instalación:

Mounting is accomplished with four screws M8. / El montaje se realiza mediante cuatro tornillos M8.

|              |    |          |      |        |                   |               |               |
|--------------|----|----------|------|--------|-------------------|---------------|---------------|
| Modification | 4  |          |      |        | Drawn             |               |               |
|              | 3  |          |      |        | 26/08/15 A.U.     |               |               |
|              | 2  |          |      |        | Checked           |               |               |
|              | 1  |          |      |        | 26/08/15 A.L.     |               |               |
|              | nº | Modified | Date | Reason | General Tolerance |               | Assembly      |
| Comments     |    |          |      |        | -                 | Part name     | Gearbox valve |
|              |    |          |      |        | Material          | ID. Reference | 2316203       |
|              |    |          |      |        | -                 | Scale: -      |               |
|              |    |          |      |        | -                 | Review: 0     |               |

1

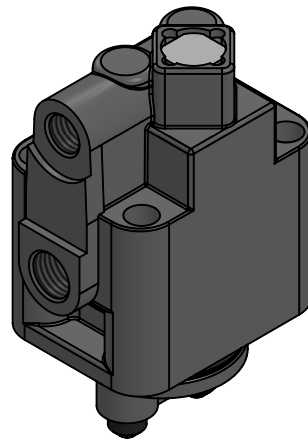
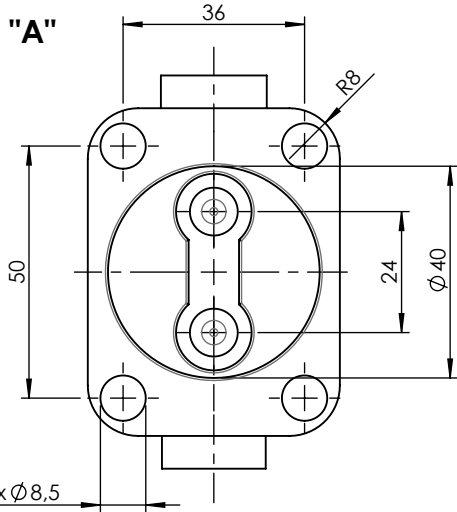
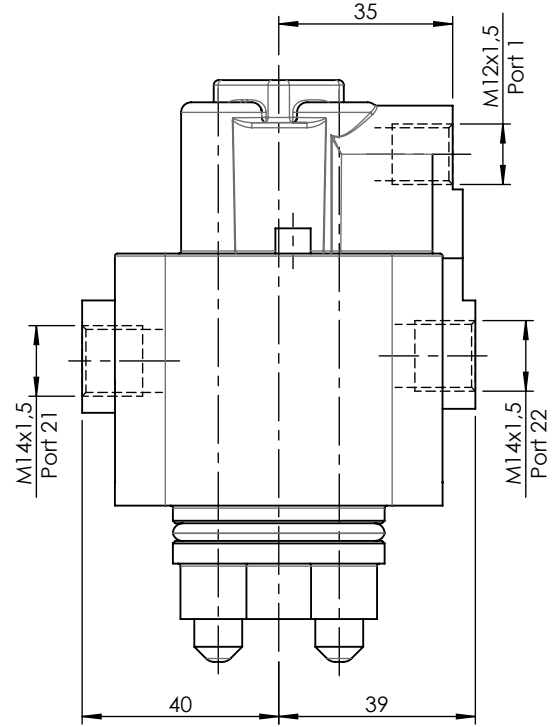
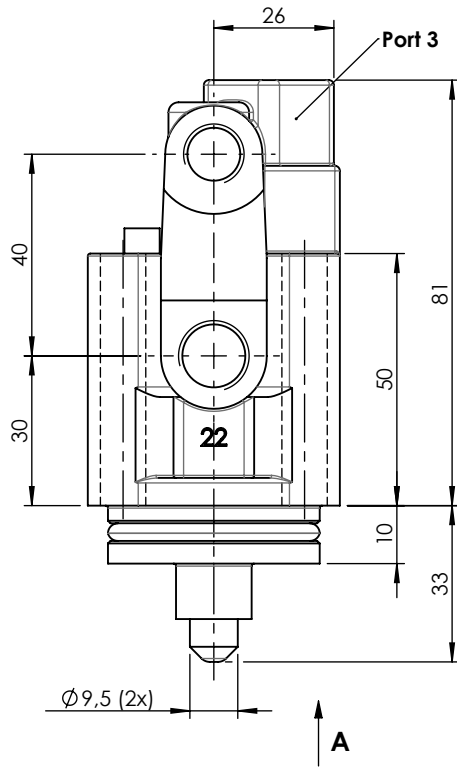
2

3

4

A

A



D

D

E

E

|          |              |          |      |        |                   |               |               |
|----------|--------------|----------|------|--------|-------------------|---------------|---------------|
| F        | Modification | 4        |      |        |                   | Drawn         |               |
|          |              | 3        |      |        |                   | 26/08/15 A.U. |               |
|          |              | 2        |      |        |                   | Checked       |               |
|          |              | 1        |      |        |                   | 26/08/15 A.L. |               |
|          | nº           | Modified | Date | Reason | General Tolerance | Assembly      | -             |
| Comments |              |          |      |        | ISO 2768 c-K      | Part name     | Gearbox valve |
|          |              |          |      |        | Material          | ID. Reference | 2316203       |
|          |              |          |      |        | -                 | Scale: 2/3    |               |
|          |              |          |      |        | -                 | Review: 0     |               |