

1

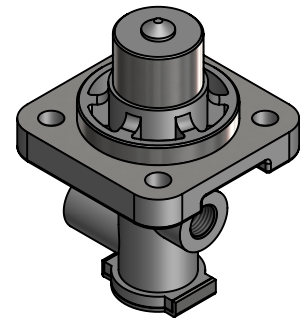
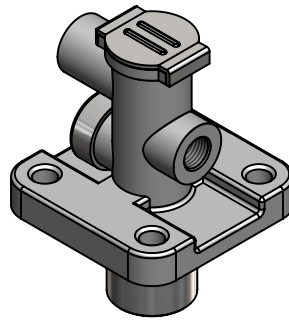
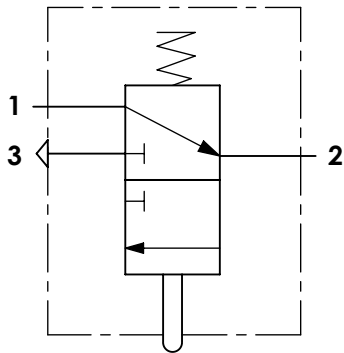
2

3

4

A Technical sheet / Datos técnicos:

Part number adaptable to / Referencia adaptable a	1068951
Operating pressure / Presión de trabajo	max. 10 bar
Permissible medium / Medio de funcionamiento	Air / Aire
Operating temperature range / Rango de temperatura	-25°C to / a +120°C
Weight / Peso	200 gr

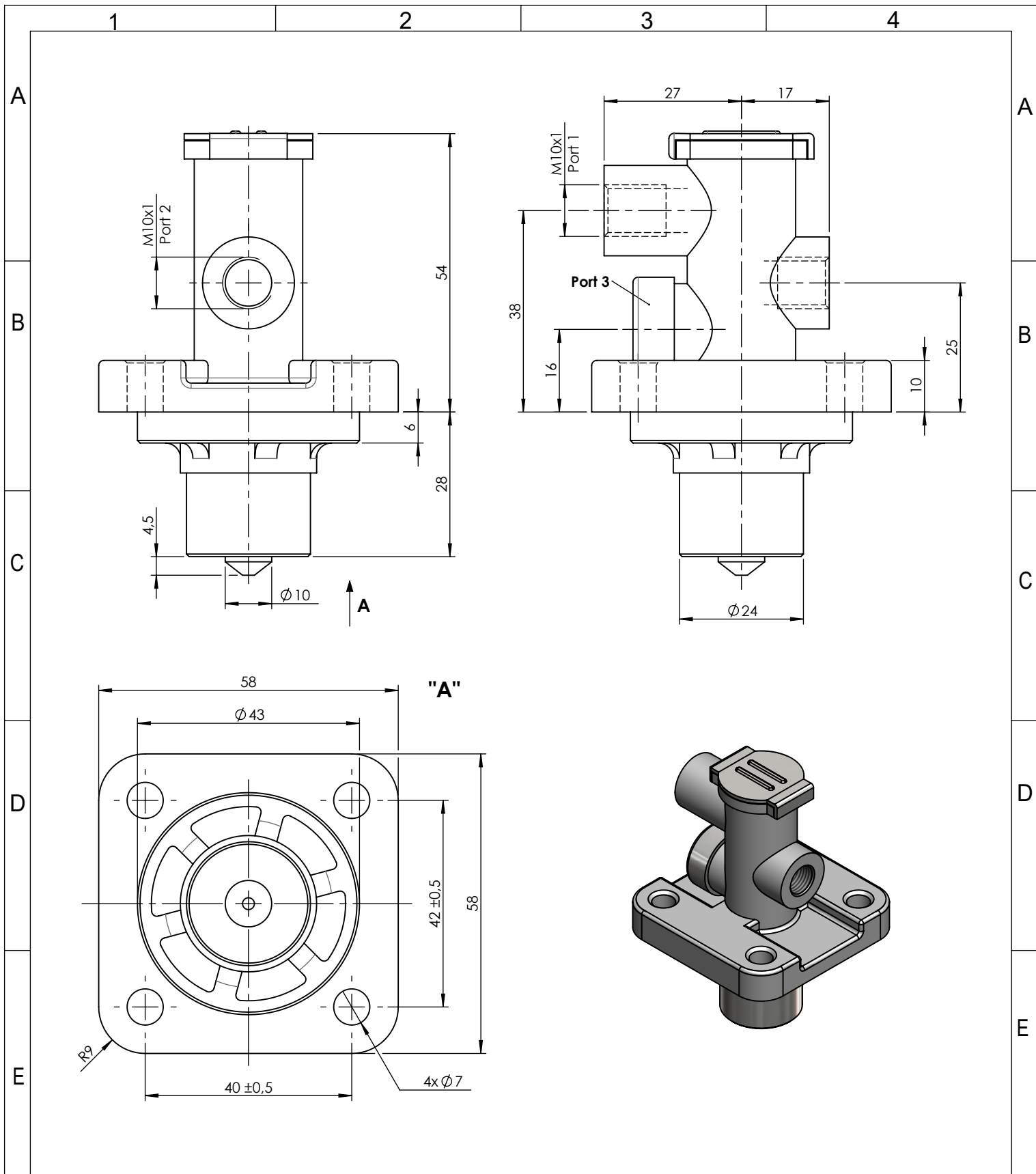


Port / Conexión	Function / Función	Thread / Rosca
1	Supply / Alimentación	M10x1
2	Delivery / Salida	M10x1
3	Exhaust / Escape	-

E Installation requirements / Requisitos para la instalación:

Mounting is accomplished with four screws M6. / El montaje se realiza mediante cuatro tornillos M6.

F	Modification	4				Drawn	
		3				19/05/20 R.A.	
		2				Checked	
		1				19/05/20 O.V.	
		nº	Modified	Date	Reason	General Tolerance	
Comments					-	Part name	Gearbox valve
					Material	ID. Reference	2880101
					-	Scale: -	
					-	Review: 0	



F	Modification	4				Drawn		F
		3				19/05/20 R.A.		
		2				Checked		
		1				19/05/20 O.V.		
	n°	Modified	Date	Reason	General Tolerance	Assembly		
Comments					ISO 2768 c-K	Part name	Gearbox valve	
					Material	ID. Reference	2880101	
						Scale: 1/1		Sheet 2/2
						Review: 0		