

1

2

3

4

A

Technical Data/ Datos Técnicos:

A

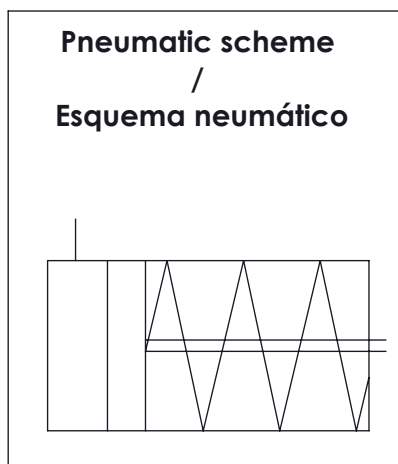
Part number adaptable to/ Referencia adaptable a:	81157016080
Hydraulic fluid/ Fluido hidráulico:	Air/Aire
Thermal range/ Rango de temperatura:	-40 °C to/a 80 °C
Supply pressure/ Presión de alimentación:	max. 8 bar
Stroke/ Carrera:	40 mm
Weight/ Peso:	383,5 gr

B

B

C

C

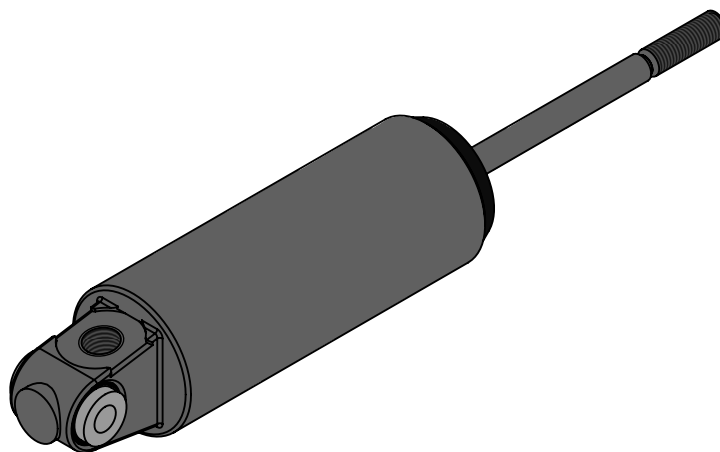


D

D

E

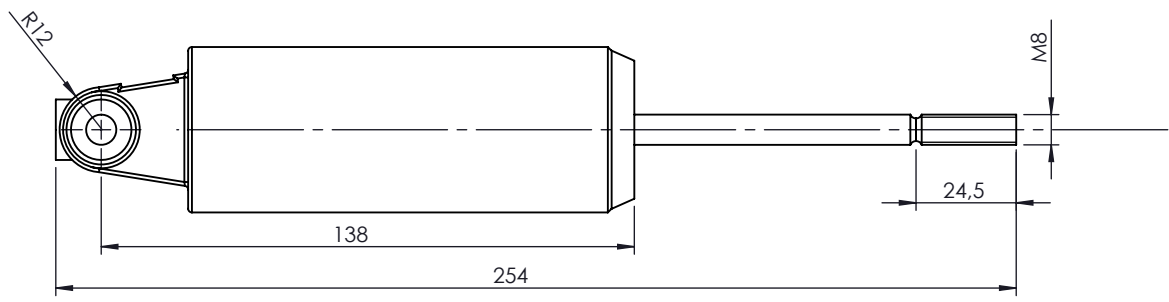
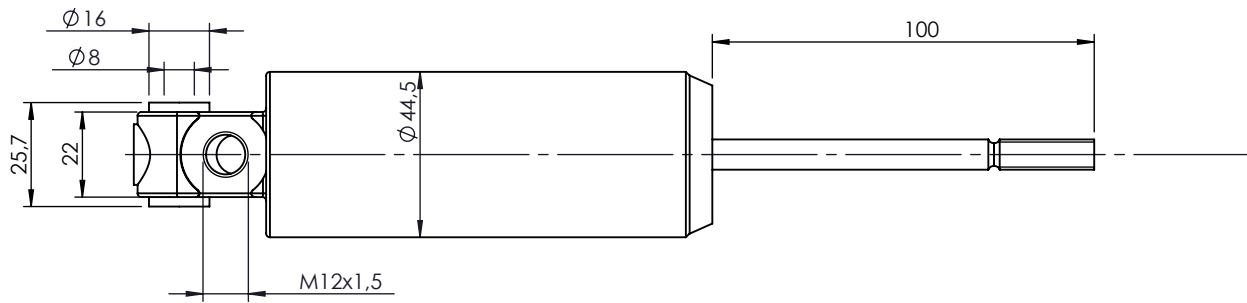
E


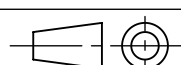


F

F

Modification	4				Drawn		
	3				02/09/20 S.F.		
	2				Checked		
	1				02/09/20 O.V.		
	nº	Modified	Date	Reason	General Tolerance		Assembly
Comments					-	Part name	Operating cylinder/Cilindro operacional
					Material	ID. Reference	2880119
					-	Scale: -	
					-	Review: 0	



Modification	4				Drawn		
	3				02/09/20 S.F.		
	2				Checked		
	1				02/09/20 O.V.		
	nº	Modified	Date	Reason	General Tolerance	Assembly	-
Comments					-	Part name	Operating cylinder/Cilindro operacional
					Material	ID. Reference	2880119
						Scale: -	
						Review: 0	