

1

2

3

4

A

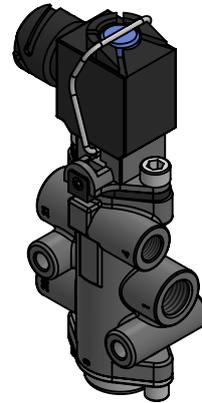
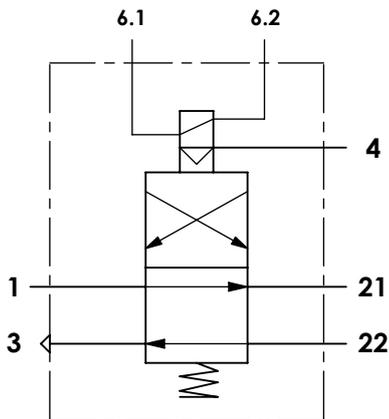
Technical sheet / Datos técnicos:

A

Part number adaptable to / Referencia adaptable a	5001856937
Operating pressure / Presión de trabajo	max. 8 bar
Voltage / Voltaje	24 V
Permissible medium / Medio de funcionamiento	Air / Aire
Operating temperature range / Rango de temperatura	-40°C to / a +110°C
Weight / Peso	300 gr

B

B



C

C

D

D

Port / Conexión	Function / Función	Thread / Rosca
1	Supply / Alimentación	M14x1,5
4	Supply / Alimentación	M10x1,0
21	Delivery / Salida	M14x1,5
22	Delivery / Salida	M14x1,5
3	Exhaust / Escape	-
6	Electric connection / Conexión eléctrica	Bayonet DIN 72585 A1-2

E

E

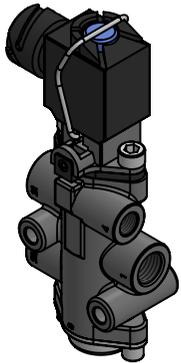
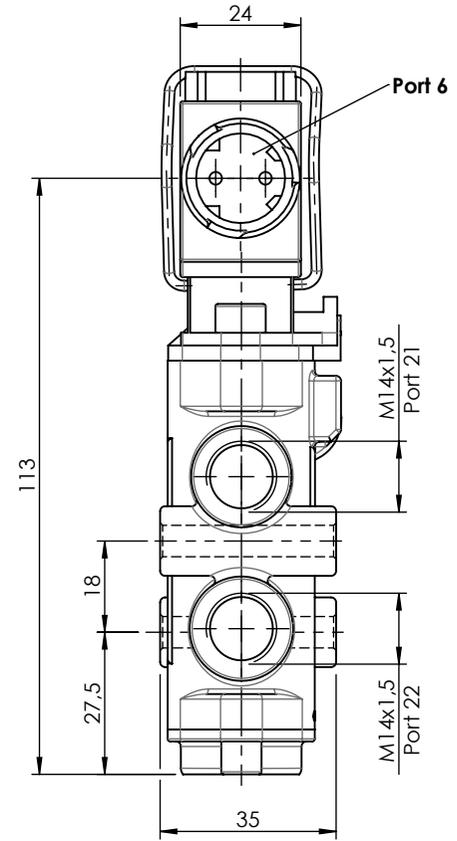
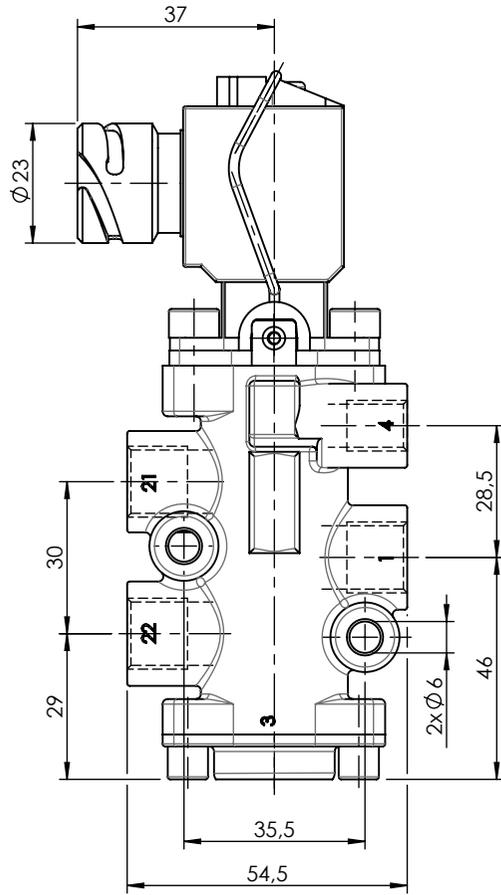
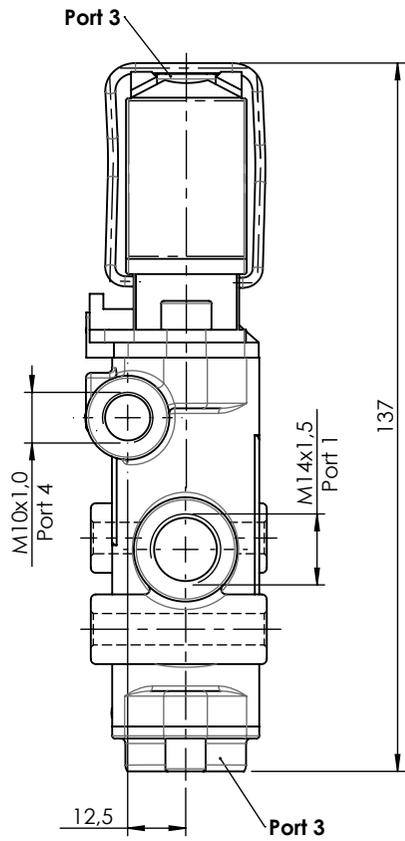
Installation requirements / Requisitos para la instalación:

Mounting is accomplished with two screws M6. El montaje se realiza mediante dos tornillos M6.

F

F

Modification	4				Drawn		
	3				09/09/15 J.S.		
	2				Checked		
	1				09/09/15 O.V.		
	nº	Modified	Date	Reason	General Tolerance		Assembly
Comments					-	Part name	Gear box valve
					Material	ID. Reference	2880168
					-	Scale: -	
					-	Review: 0	



Modification	4				Drawn		
	3				09/09/15 J.S.		
	2				Checked		
	1				09/09/15 O.V.		
nº	Modified	Date	Reason	General Tolerance	Assembly	-	
Comments					ISO 2768 c-K	Part name	Gear box valve
					Material	ID. Reference	2880168
						Scale: 2/3	
						Review: 0	