

1

2

3

4

A

**Technical sheet / Datos técnicos:**

A

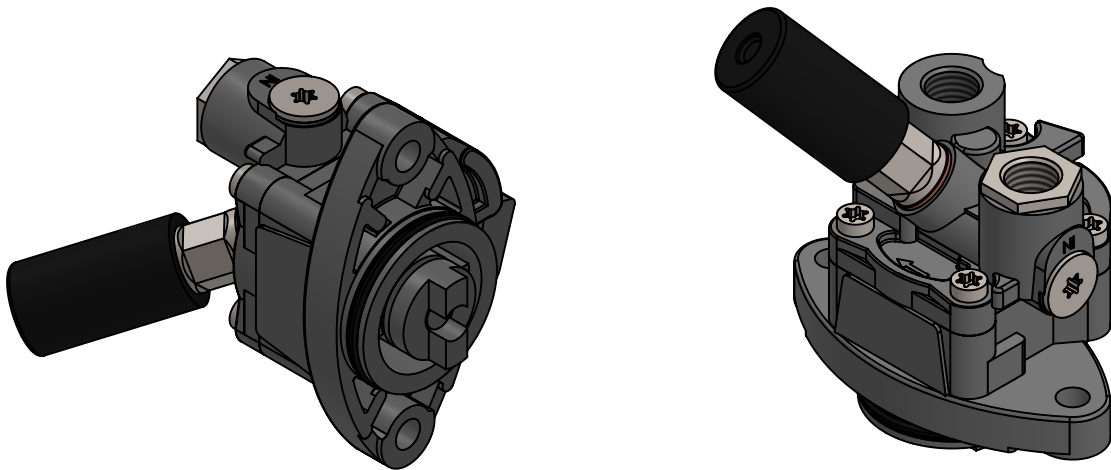
Part number adaptable to / Referencia adaptable a	1539298
Weight / Peso	700 gr

B

B

C

C



D

D

Port / Conexión	Function / Función	Thread / Rosca
<b>IN</b>	Supply / Alimentación	M16x1,5
<b>OUT</b>	Delivery / Salida	M16x1,5

E

**Installation requirements / Requisitos para la instalación:**

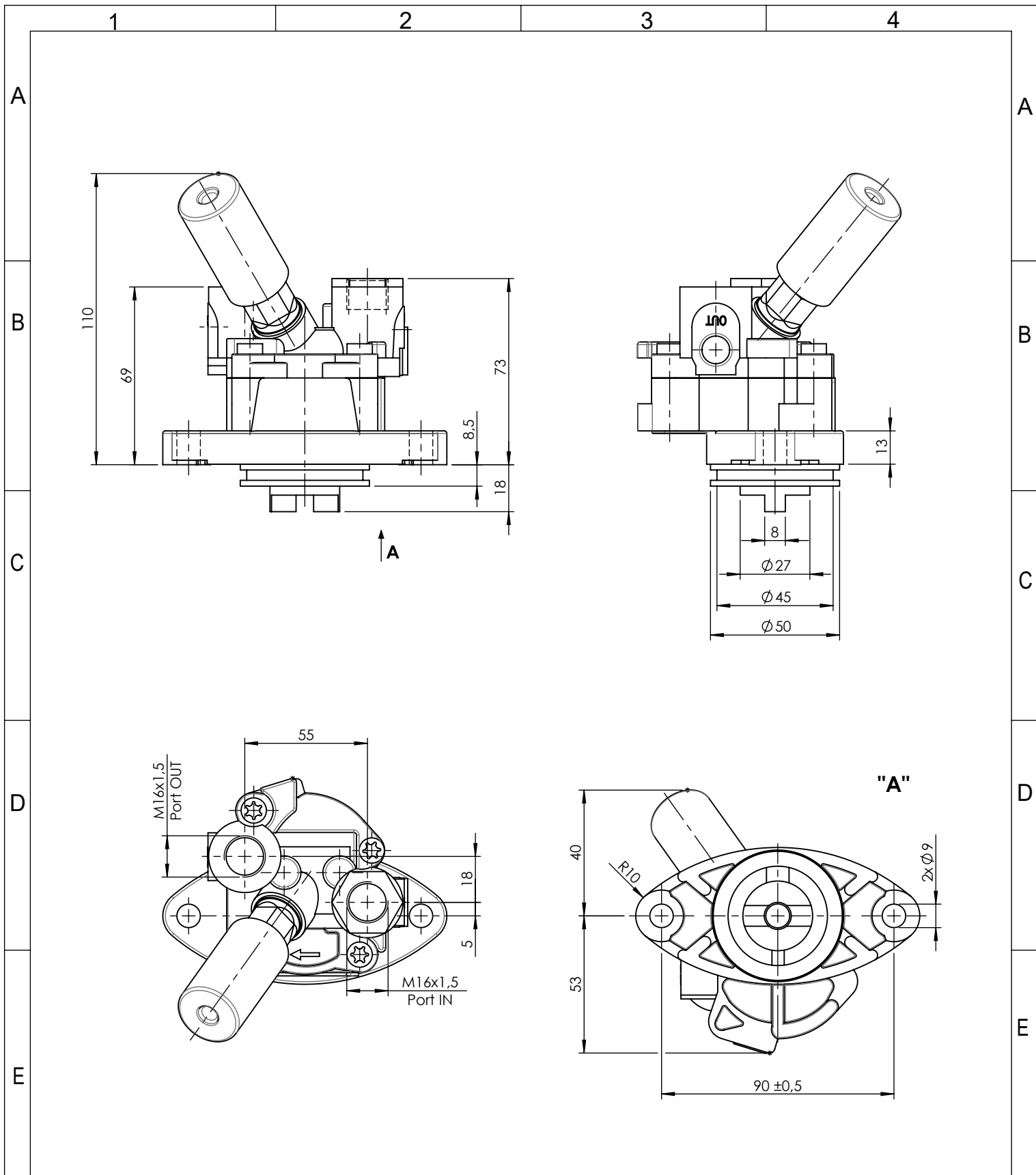
Mounting is accomplished with two screws M8. / El montaje se realiza mediante dos tornillos M8.

E

F

F

Modification	4				Drawn		
	3				20/08/19 A.I.		
	2				Checked		
	1				20/08/19 O.V.		
Comments	nº	Modified	Date	Reason	General Tolerance	Assembly	-
					-	Part name	Fuel pump
					Material	ID. Reference	2880209
				-	Scale: -		Sheet 1/2
				-	Review: 0		



F	Modification	4				Drawn		F
		3				20/08/19 A.I.		
		2				Checked		
		1				20/08/19 O.V.		
	nº	Modified	Date	Reason	General Tolerance	Assembly		
Comments					ISO 2768 c-K	Part name	Fuel pump	
					Material	ID. Reference	2880209	
					-	Scale: 1/2		Sheet 2/2
					-	Review: 0		