

1

2

3

4

A

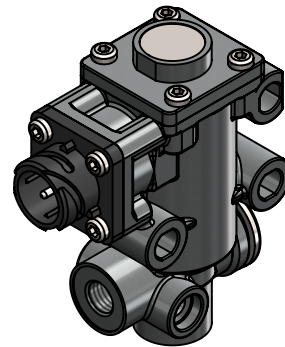
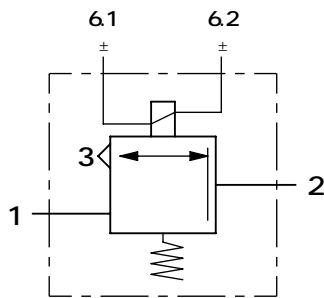
**Technical sheet / Datos técnicos**

A

Operating pressure / Presión de trabajo	max. 12,5 bar
Voltage / Voltaje	24 V
Permissible medium / Medio de funcionamiento	Air / Aire
Weight / Peso	550 gr

B

B



C

C

Port / Conexión	Function / Función	Thread / Rosca
1	Supply / Alimentación	M12x1,5
2	Delivery / Salida	M12x1,5
3	Exhaust / Escape	-
6	Electric connection / Conexión eléctrica	Bayonet DIN 72585 A1-2

D

D

**Purpose / Propósito:**

Proportional valve to control the opening of the butterfly valve of EGR system through the control cylinder. / Válvula proporcional para controlar la apertura de la válvula de mariposa del sistema EGR a través del cilindro de mando.

E

E

**Installation requirements / Requisitos para la instalación:**

Mounting is accomplished with three screws M8. / El montaje se realiza mediante tres tornillos M8.

F

F

Modification	4				Drawn	
	3				11/11/20 J.S.	
	2				Checked	
	1	J.S.	21/11/24	Modify technical data	11/11/20 O.V.	
n°	Modified	Date	Reason	General Tolerance	Assembly	-
Comments				-	Part name	Solenoid valve EGR
				Material	ID. Reference	2880230
				-	Scale: -	
				-	Review: 1	

1 2 3 4

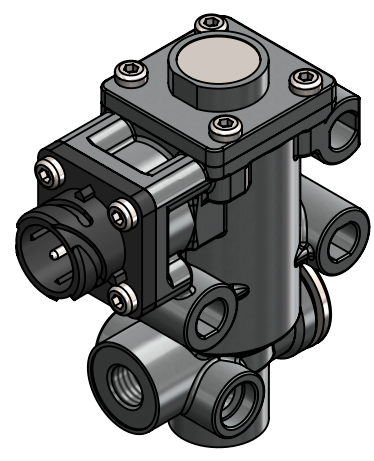
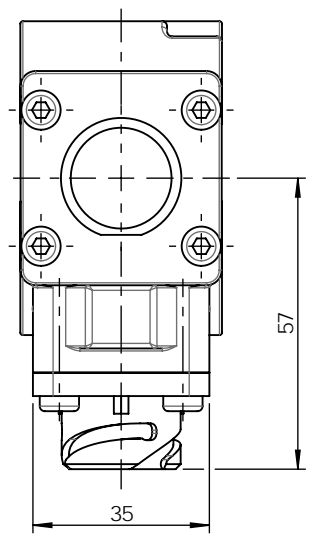
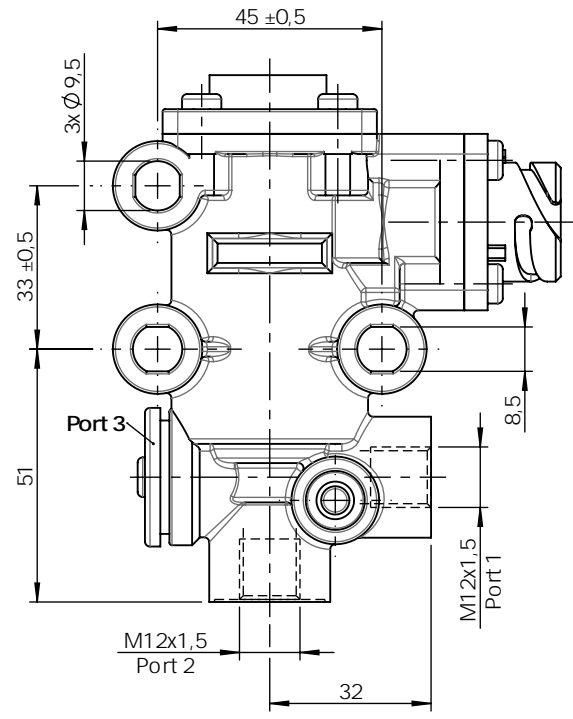
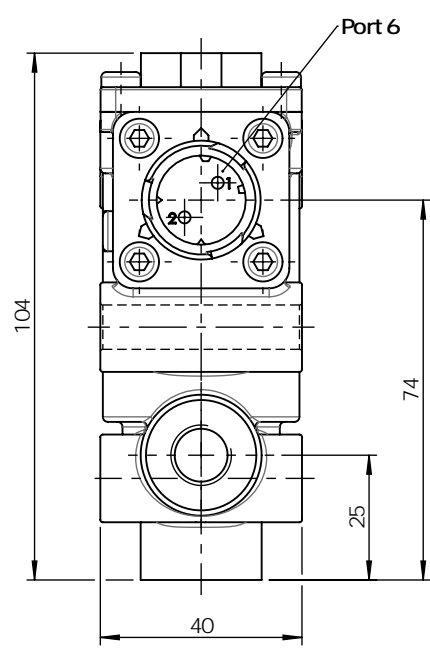
A A


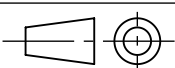
B B

C C

D D

E E



F	Modification	4				Drawn	
		3				11/11/20 J.S.	
		2				Checked	
		1	J.S.	21/11/24	Modify technical data	11/11/20 O.V.	
		n°	Modified	Date	Reason	Assembly	
Comments					General Tolerance	Part name	Solenoid Valve EGR 2880230 
					Material	ID. Reference	
					-	Scale: 2/3	
					-	Review: 1	