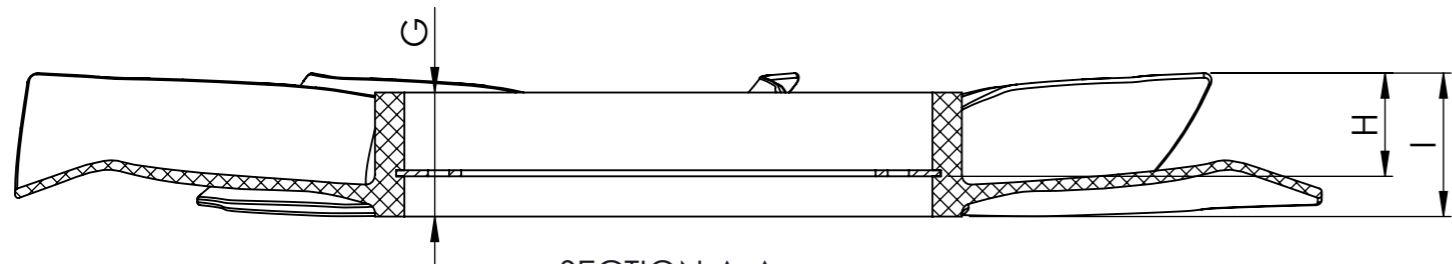


1 2 3 4 5 6 7 8

A

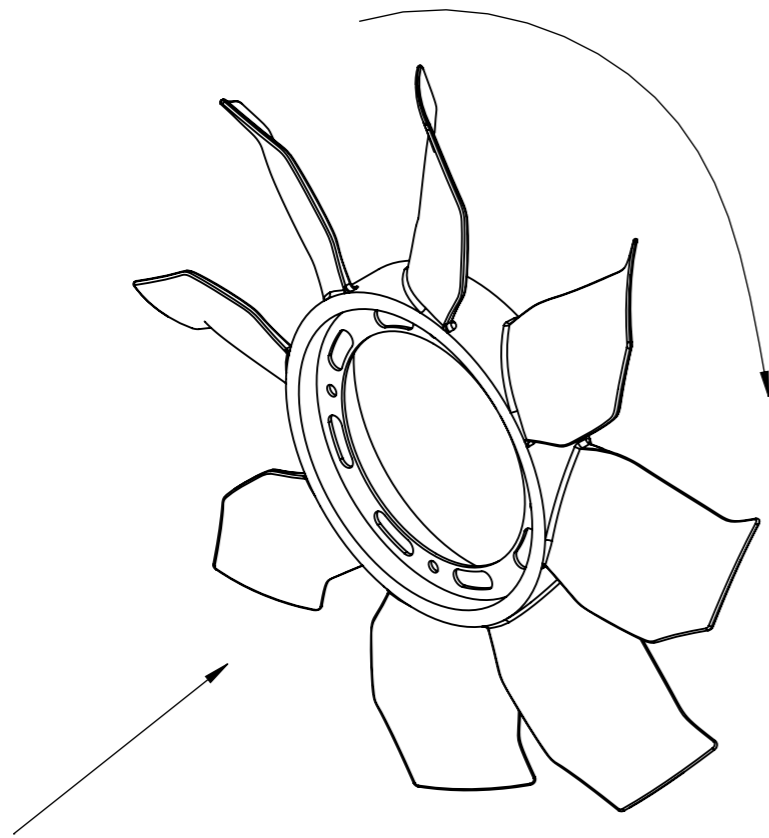
A



SECTION A-A

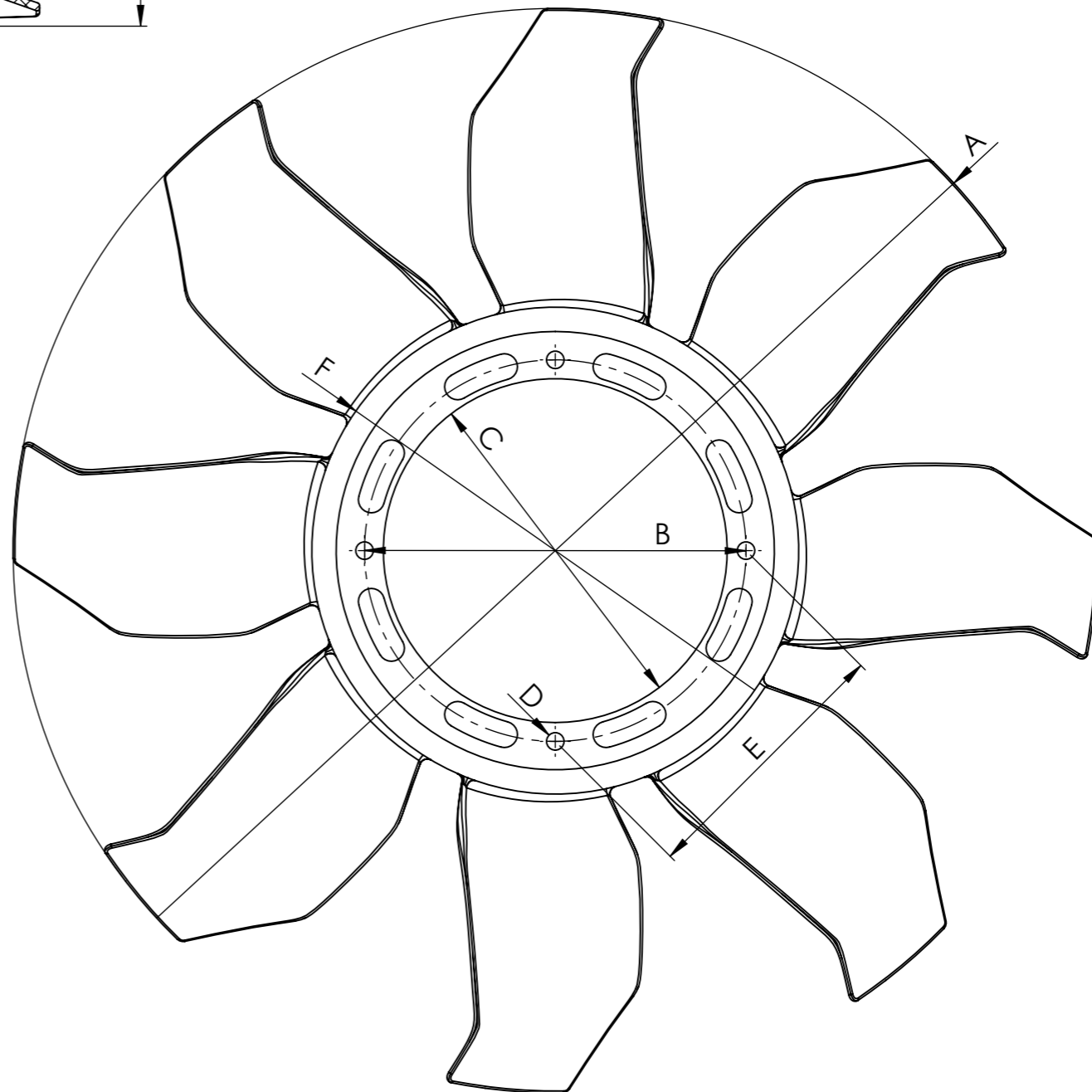
B

B



A

A



D

D

E

E

F

F

FAN WHEEL			
Ref.n°	Value	Ref.n°	Value
A	$\phi 405 \pm 3$ mm	G	35 ± 3 mm
B	$\phi 125$ mm	H	9.1 ± 3 mm
C	$\phi 111 +0.30$ mm	I	35 ± 3 mm
D	4x $\phi 7$ mm		
E	88.4 mm		
F	$\phi 180 \pm 3$ mm		
Number of blades		8	Configuration
			CW

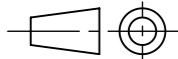
Modification n°	Modified	Date	Reason
4			
3			
2			
1			

Comments
The drawing views may not match the actual part.

Drawn
19/06/20 A.G.
Checked
19/06/20 R.U.

General Tolerance
ISO 2768 c-K
Material

Assembly
Part name Fan wheel
ID. Reference 8111604
Scale: 2/5
Review: 0



Sheet 1/1

1 2 3 4 5 6 7 8