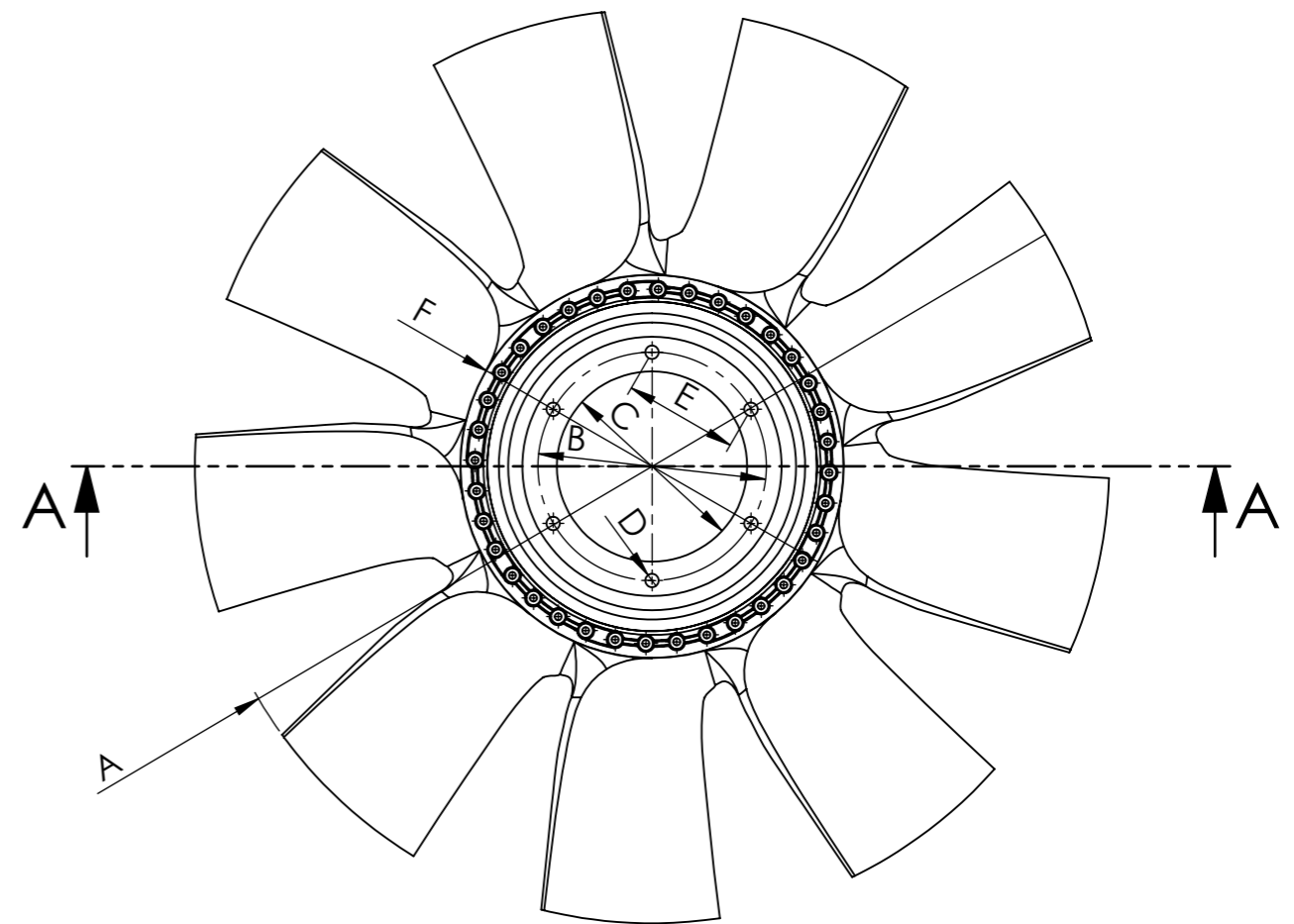
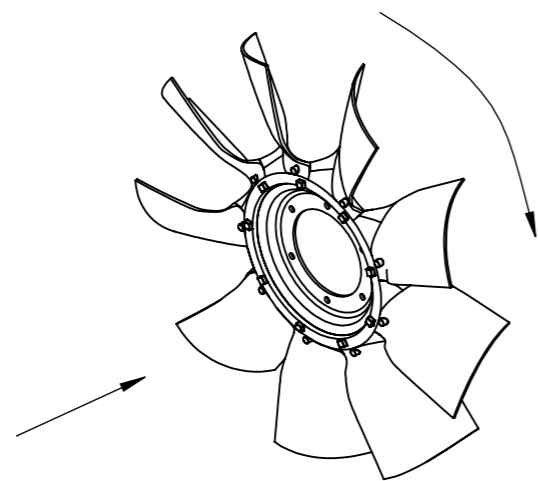


SECCIÓN A-A



Dimensional values	FAN WHEEL			
	Ref.nº	Value	Ref.nº	Value
	A	$\phi 610 \pm 3$ mm	G	31 ± 3 mm
	B	$\phi 152,4$ mm	H	36 ± 3 mm
	C	$\phi 127 +0,30$ mm	I	90 ± 3 mm
	D	6x $\phi 9$ mm		
	E	76,2 mm		
	F	$\phi 255 \pm 3$ mm		
	Number of blades		9	Configuration
				CW

Modification nº	Modified	Date	Reason	Comments	Drawn
					4
3					Checked
2					29/06/23 R.U.
1					

General Tolerance		ISO 2768 c-K	Assembly	Technical sheet
Material			Part name	Fan wheel
ID. Reference		8822617	Scale: 1/5	
Review: 00			Sheet 1/1	

