

1

2

3

4

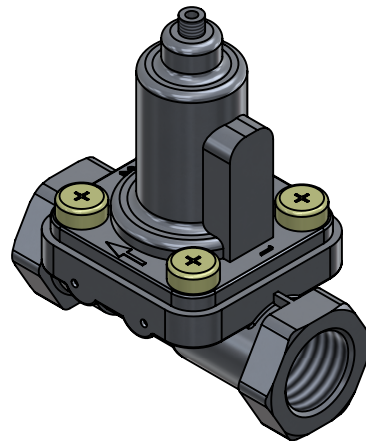
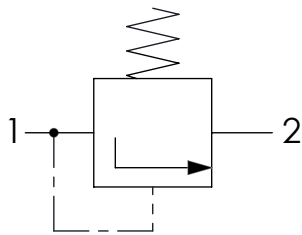
A

Technical sheet / Datos técnicos:

| | |
|--|---|
| Part number adaptable to / Referencia adaptable a | 4341001240 |
| Working pressure / Presión de trabajo | max. 13 bar |
| Type / Tipo | Without return flow / Sin retorno del flujo |
| Opening pressure / Presión de apertura | 5.5 bar |
| Permissible medium / Medio de funcionamiento | Air / Aire |
| Operating temperature range / Rango de temperatura | -40°C to / a +80°C |
| Weight / Peso | 420 gr |

B

C



D

| Port / Conexión | Function / Función | Thread / Rosca |
|-----------------|-----------------------|----------------|
| 1 | Supply / Alimentación | M22x1.5 |
| 2 | Delivery / Salida | M22x1.5 |

Purpose / Propósito: Allow air flow to a second air compressed reservoir if a certain regulated pressure is reached in the first reservoir. This is useful to give priority to the filling of air from one circuit over another one (for example: priority of filling brake circuit instead of suspension circuit) / Permitir el paso de aire hacia un segundo depósito de aire comprimido si en el primer depósito se alcanza una determinada presión regulada en la válvula. Esto sirve para priorizar el llenado de aire de un circuito frente a otro (por ejemplo: prioridad de llenado de circuito de frenos frente a circuito de suspensión)

E

Installation requirements / Requisitos para la instalación: To install the valve directly into the air reservoir inlet using the appropriate connection. / Instalar la válvula directamente en la entrada del depósito de aire usando la conexión oportuna.

F

| | | | | | | | |
|--------------|----------|------|--------|-------------------|---------------|---------------|----------------|
| Modification | 4 | | | | Drawn | | |
| | 3 | | | | 17/02/11 A.U. | | |
| | 2 | | | | Checked | | |
| | 1 | | | | 17/02/11 A.L. | | |
| nº | Modified | Date | Reason | General Tolerance | Assembly | - | |
| Comments | | | | | - | Part name | Charging valve |
| | | | | | Material | ID. Reference | 2206136 |
| | | | | | - | Scale: - | |
| | | | | | - | Review: 0 | |

1 2 3 4

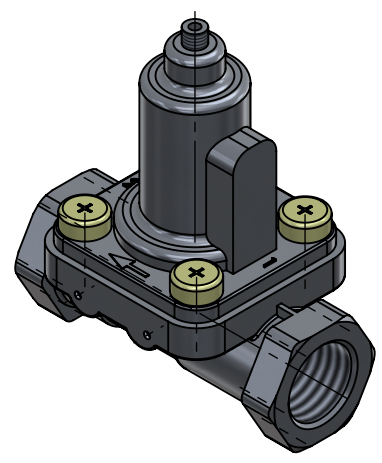
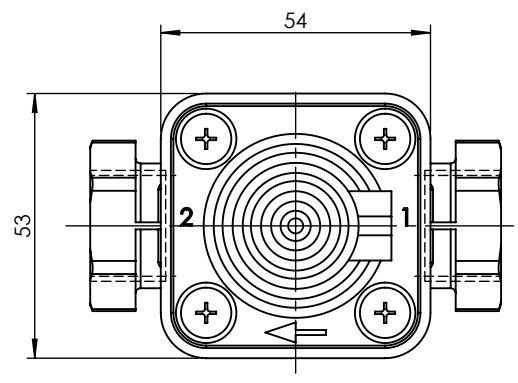
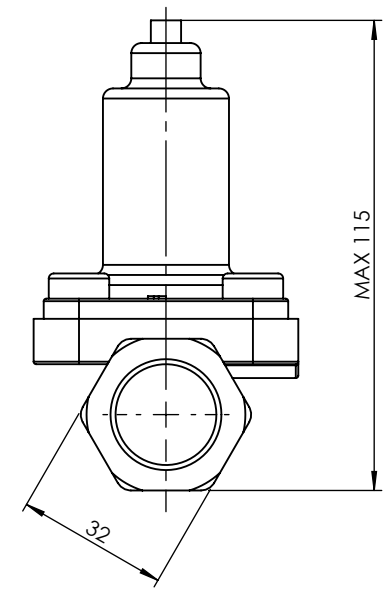
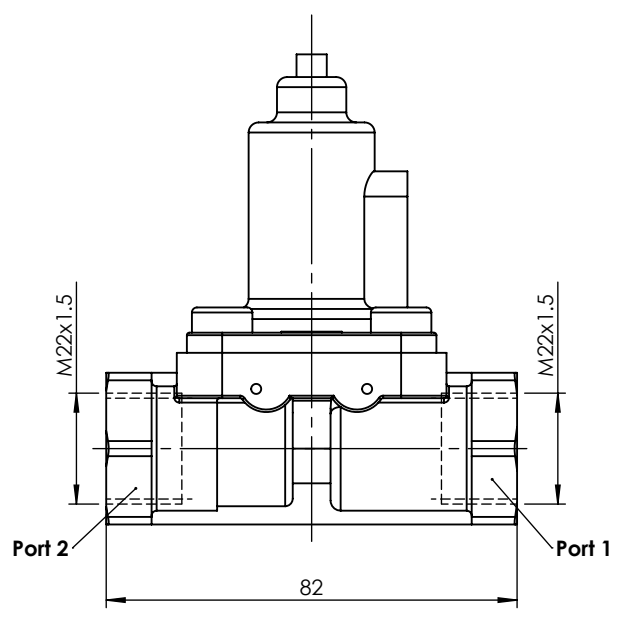
A A


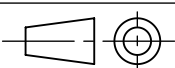
B B

C C

D D

E E



| | | | | | | | |
|----------|--------------|----------|------|--------|-------------------|---------------|---|
| F | Modification | 4 | | | | Drawn |  |
| | | 3 | | | | 17/02/11 A.U. | |
| | | 2 | | | | Checked | |
| | | 1 | | | | 17/02/11 A.L. | |
| | nº | Modified | Date | Reason | General Tolerance | Assembly | |
| Comments | | | | | ISO 2768 c-K | Part name | Charging valve |
| | | | | | Material | ID. Reference | 2206136 |
| | | | | | - | Scale: 2/3 |  |
| | | | | | - | Review: 0 | |

PG/18/02 rev.1 1 2 3 4