

1

2

3

4

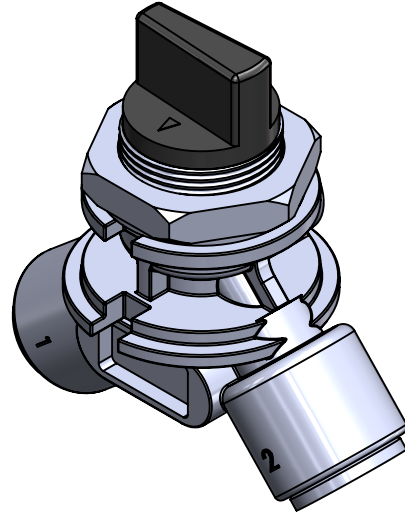
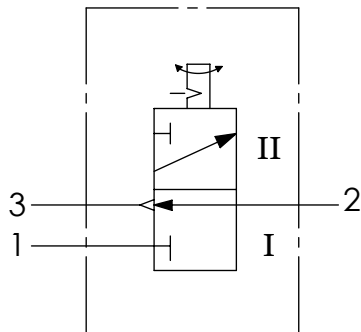
A

**Technical sheet / Datos técnicos:**

Part number adaptable to / Referencia adaptable a	4630360080
Working pressure / Presión de trabajo	max 11 bar
Permissible medium / Medio de funcionamiento	Air / Aire
Operating temperature range / Rango de temperatura	-40°C to / a +80°C
Weight / Peso	260 gr

B

C



D

Port / Conexión	Function / Función	Thread / Rosca
1	Supply / Alimentación	M12x1.5
2	Delivery / Salida	M12x1.5
3	Exhaust / Escape	M10x1

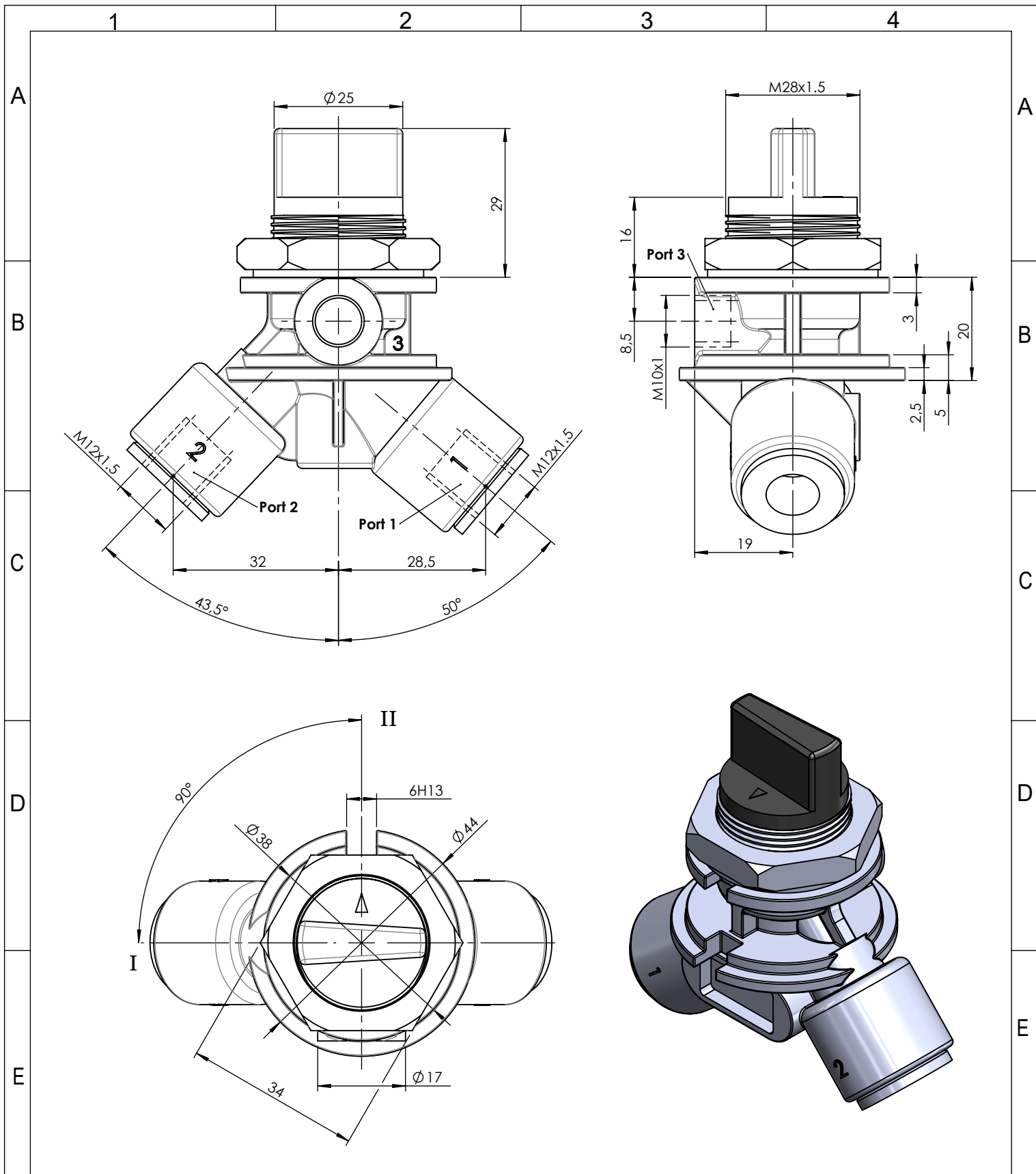
E


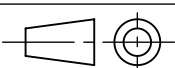
**Purpose / Propósito:** To ventilate and to purge operating cylinders. / Ventilar y purgar los cilindros operativos.

**Installation requirements / Requisitos para la instalación:** Optional. / Opcional.

F

Modification	4				Drawn		
	3				29/12/14 A.U.		
	2				Checked		
	1				29/12/14 A.L.		
	nº	Modified	Date	Reason	General Tolerance		Assembly
Comments					-	Part name	3/2 ways valve
					Material	ID. Reference	2215205
					-	Scale: -	
					-	Review: 0	



F	Modification	4				Drawn		F	
		3				29/12/14 A.U.			
		2				Checked			
		1				29/12/14 A.L.			
		nº	Modified	Date	Reason	General Tolerance			Assembly
Comments						ISO 2768 c-K	Part name	3/2 ways valve	
						Material	ID. Reference	2215205	
							Scale: 1/1		Sheet 2/2
							Review: 0		
PG/18/02 rev.1 1		2		3		4			