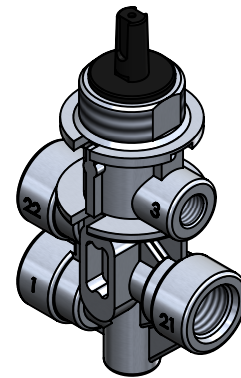
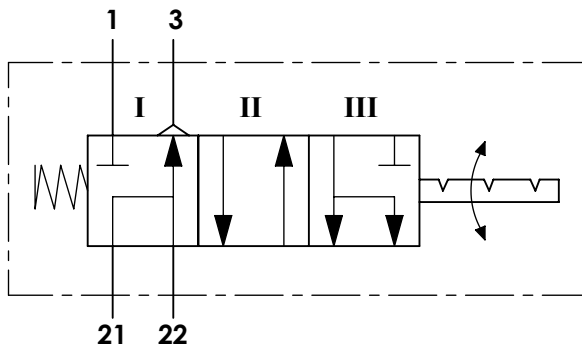


Technical sheet / Datos técnicos:

Part number adaptable to / Referencia adaptable a	4630372000
Operating pressure / Presión de trabajo	max. 10 bar
Permissible medium / Medio de funcionamiento	Air / Aire
Operating temperature range / Rango de temperatura	-25 °C to / a +80 °C
Weight / Peso	300 gr



Port / Conexión	Function / Función	Thread / Rosca
1	Supply / Alimentación	M16x1,5 VOSS
21	Delivery / Salida	M16x1,5 VOSS
22	Delivery / Salida	M16x1,5 VOSS
3	Exhaust / Escape	M10x1,0

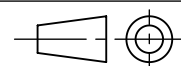
Purpose / Propósito:

To ventilate and to purge operating cylinders. / Ventilar y purgar los cilindros operativos.

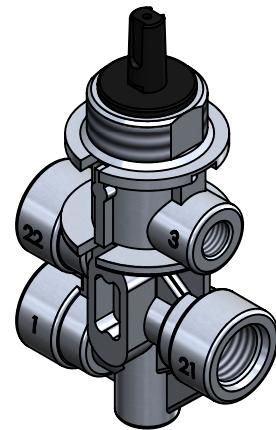
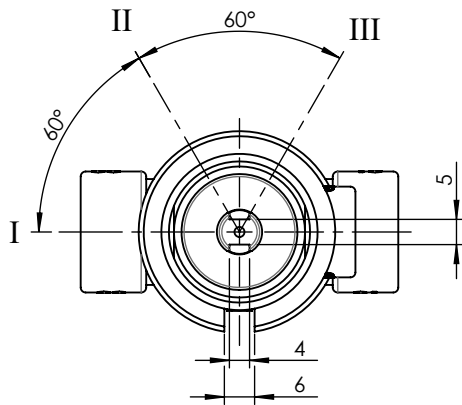
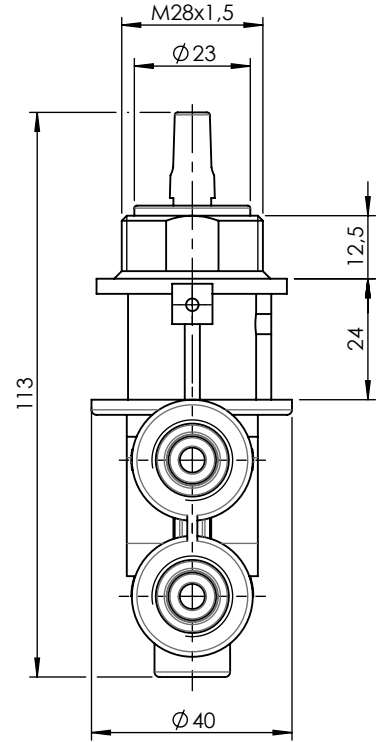
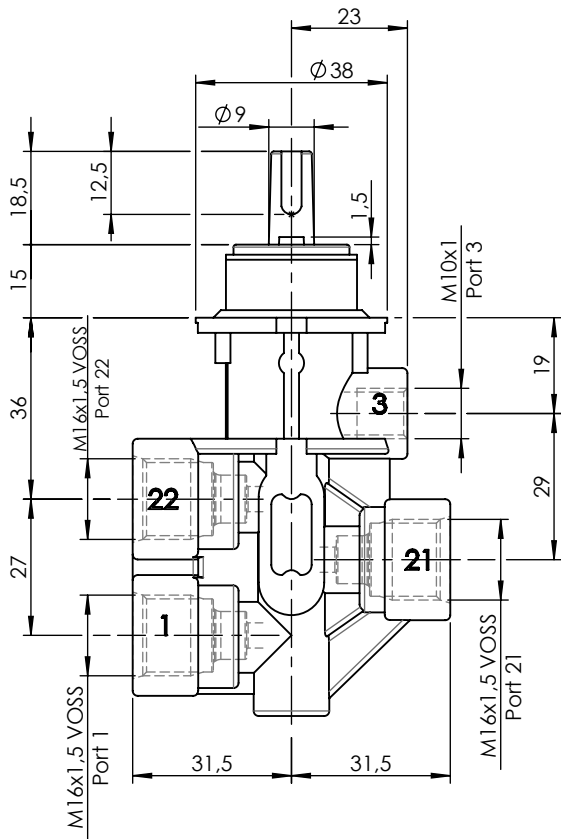
Installation requirements / Requisitos para la instalación:


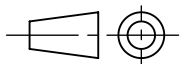
Mounting is accomplished with one nut M28. / El montaje se realiza mediante una tuerca M28.

Modification	4				Drawn		
	3				22/01/18 J.S.		
	2				Checked		
	1				22/01/18 O.V.		
F	nº	Modified	Date	Reason	General Tolerance	Assembly	-
	Comments				-	Part name	4/3 ways valve
					Material	ID. Reference	2215219
					-	Scale: -	
					Review: 0		



Sheet
1/2



F	Modification	4				Drawn	
		3				22/01/18 J.S.	
		2				Checked	
		1				22/01/18 O.V.	
	nº	Modified	Date	Reason	General Tolerance	Assembly	
Comments					ISO 2768 c-K	Part name	4/3 ways valve
					Material	ID. Reference	2215219
					-	Scale: 2/3	
					-	Review: 0	