

1

2

3

4

A

Technical sheet / Datos técnicos:

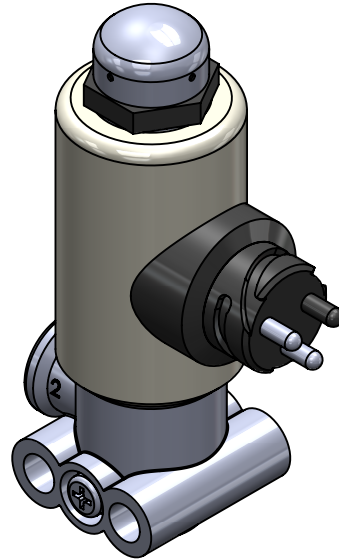
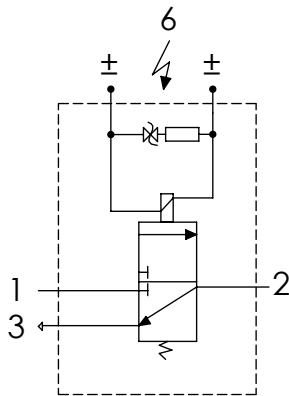
| | |
|--|-------------------------------------|
| Part number adaptable to / Referencia adaptable a | 4721726040 |
| Working pressure / Presión de trabajo | max. 11 bar |
| Type of current / Tipo de corriente: | Direct current / Corriente continua |
| Voltage / Voltaje: | 24 V |
| Nominal current / Corriente nominal: | 0.41 A |
| Permissible medium / Medio de funcionamiento | Air / Aire |
| Operating temperature range / Rango de temperatura | -40°C to / a +80°C |
| Weight / Peso | 550 gr |

B

B

C

C



D

D

| Port / Conexión | Function / Función | Thread / Rosca |
|-----------------|-----------------------|-------------------------------------|
| 1 | Supply / Alimentación | M12x1.5 |
| 2 | Delivery / Salida | M12x1.5 |
| 3 | Exhaust / Escape | - |
| 6 | Conector / Conector | 2 pins connector / Conector 2 pines |

E

E

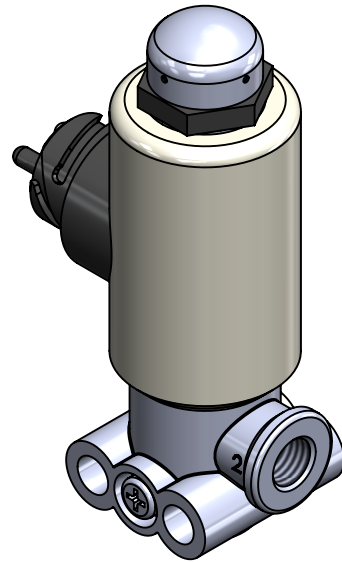
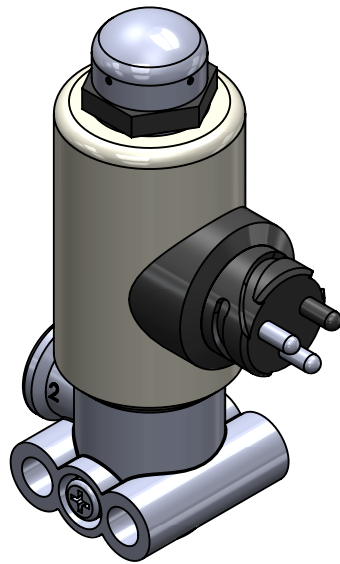
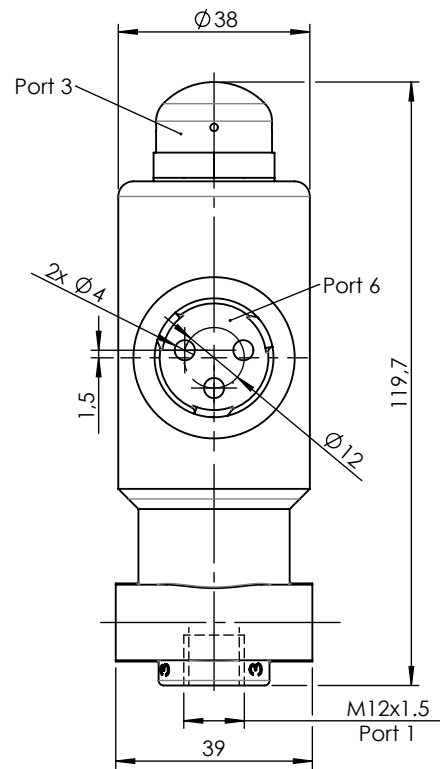
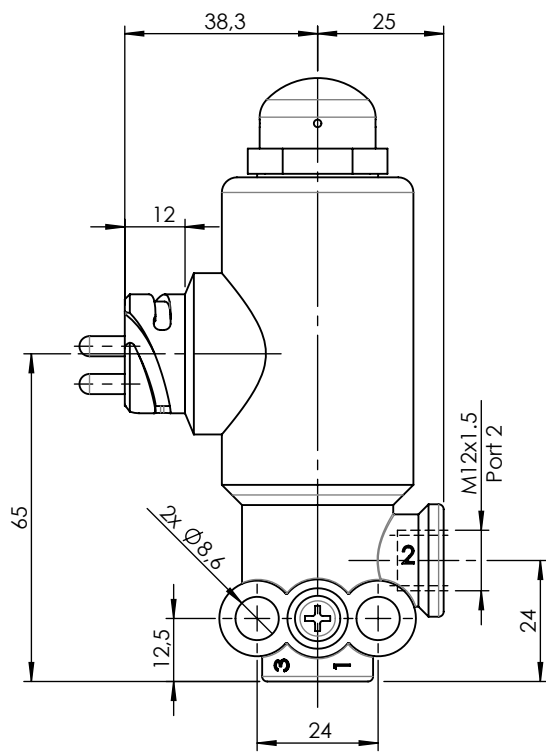
Purpose / Propósito: Allow air flows to delivery port when the solenoid is activated / Permitir el paso de aire hacia la conexión de salida cuando se activa el solenoide.


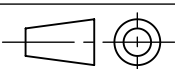
Installation requirements / Requisitos para la instalación: The valve must be installed using 2 screws M8. / La válvula debe ser instalada usando dos tornillos M8.

F

F

| | | | | | | | |
|--------------|----|----------|------|--------|-------------------|---------------|----------|
| Modification | 4 | | | | Drawn | | |
| | 3 | | | | 26/10/20 S.F. | | |
| | 2 | | | | Checked | | |
| | 1 | | | | 26/10/20 O.V. | | |
| | nº | Modified | Date | Reason | General Tolerance | | Assembly |
| Comments | | | | | - | Part name | Solenoid |
| | | | | | Material | ID. Reference | 2218223 |
| | | | | | - | Scale: - | |
| | | | | | - | Review: 0 | |



| | | | | | | | |
|----------|--------------|----------|------|--------|-------------------|---------------|---|
| F | Modification | 4 | | | | Drawn |  |
| | | 3 | | | | 26/10/20 S.F. | |
| | | 2 | | | | Checked | |
| | | 1 | | | | 26/10/20 O.V. | |
| | nº | Modified | Date | Reason | General Tolerance | Assembly | |
| Comments | | | | | ISO 2768 c-K | Part name | Solenoid |
| | | | | | Material | ID. Reference | 2218223 |
| | | | | | - | Scale: 2/3 |  |
| | | | | | - | Review: 0 | |