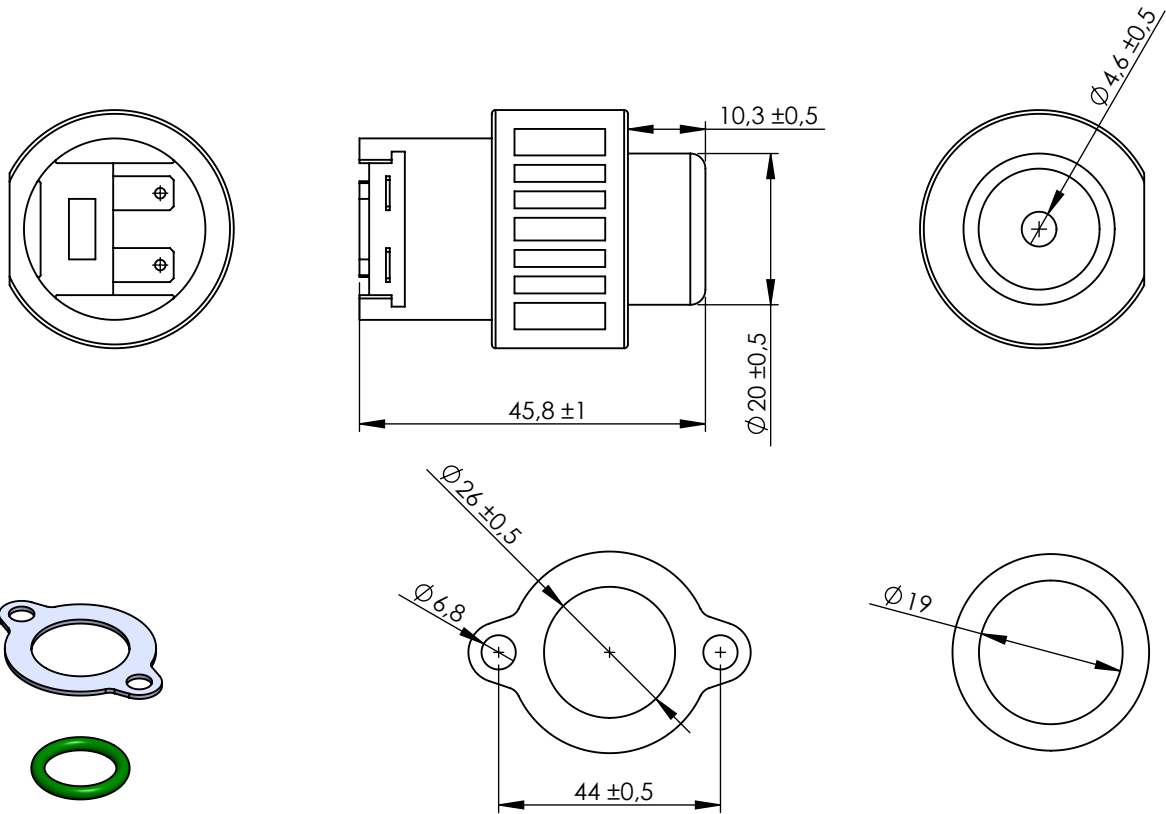
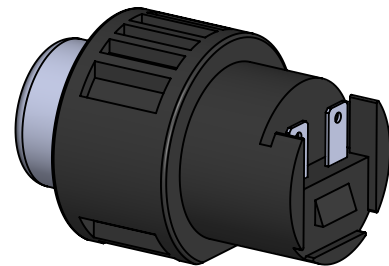
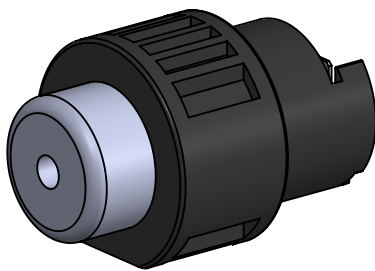


Technical data/ Datos técnicos:

According to/En referencia a:	4213659292
Operating temperature range/ Rango de temperatura:	-40°C a/to 80°C
Weight/Peso:	53 gr



Washer and O-ring included/
Arandela y junta tórica incluidas



F	Modification	4				Drawn	
		3				31/08/20 S.F.	
		2				Checked	
		1				31/08/20 E.L.	
		nº	Modified	Date	Reason	General Tolerance	
	Comments				ISO 2768 c-K	Part name	Position sensor/Sensor de posición
					Material	ID. Reference	2260373
					-	Scale: 1/1	
					-	Review: 0	