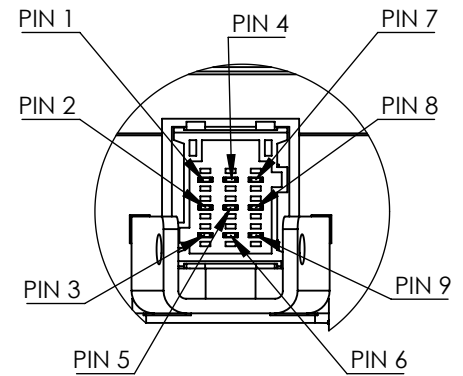
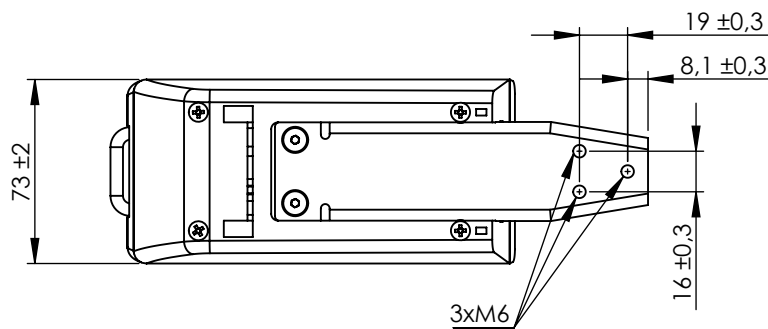
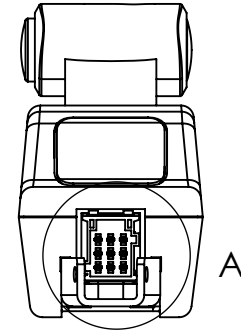
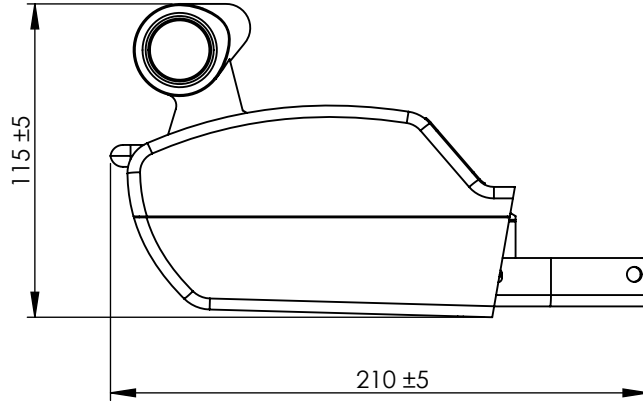
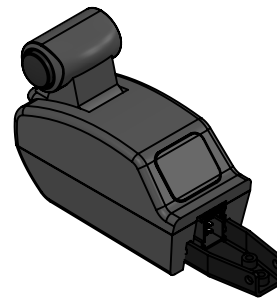
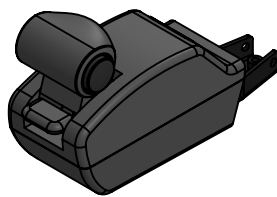


Technical data/ Datos técnicos:

According to/ En referencia a:	9432601209
Operating temperature range/ Rango de temperatura:	-40°C a/to 80°C
Weight/Peso:	682 gr



DETAIL/DETALLE A

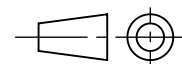


Modification	4				Drawn
	3				25/08/20 S.F.
	2				Checked
	1				25/08/20 E.L.
	nº	Modified	Date	Reason	General Tolerance
Comments					Part name
					Material
					Scale: 1/3
					Review: 0



Automatic gearshift/
Palanca de cambio automática

2260628



Sheet
1/1