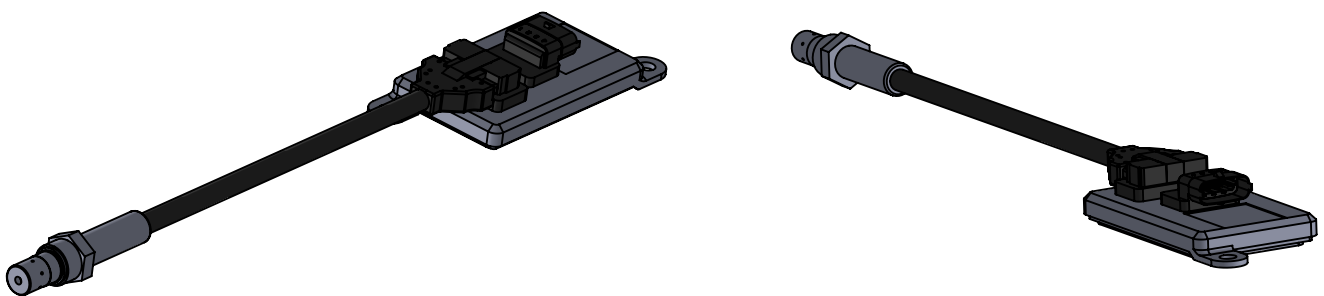
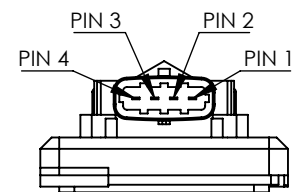
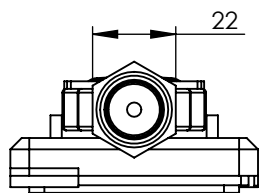
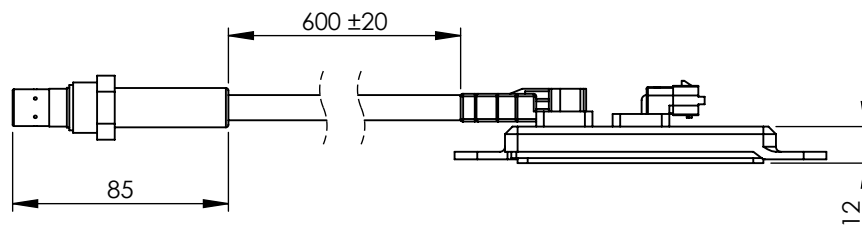
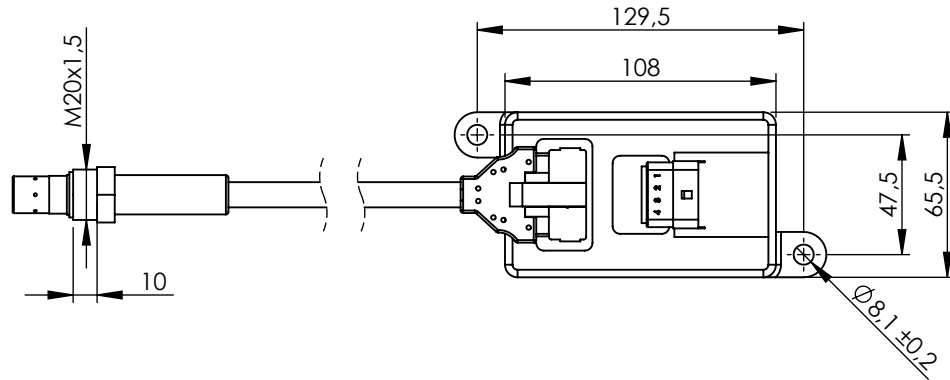


Technical data/ Datos técnicos:

According to/ En referencia a:	2894940
Operating temperature range/Rango de temperatura:	-40°C a/to 80°C
Weight/ Peso	309 gr

PIN 1	+24V
PIN 2	CAN L
PIN 3	CAN H
PIN 4	GND/MASA

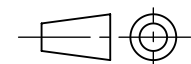


Modification	4				Drawn	
	3				11/09/20 S.F.	
	2				Checked	
	1				11/09/20 E.L.	
	nº	Modified	Date	Reason	General Tolerance	Assembly
Comments					ISO 2768 c-K	Part name
					Material	ID. Reference
					-	Scale: 1/3
					-	Review: 0



NOx sensor/Sensor NOx

2269011



Sheet 1/1