

1

2

3

4

A

**Technical sheet / Datos técnicos:**

A

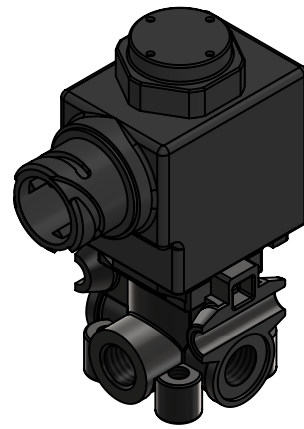
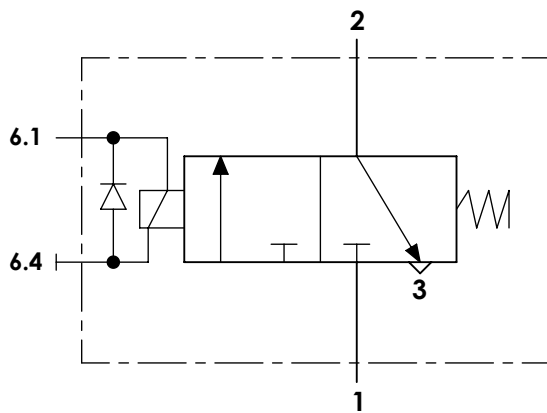
Part number adaptable to / Referencia adaptable a	1078316
Operating pressure / Presión de trabajo	max. 9 bar
Voltage / Voltaje	24 V
Permissible medium / Medio de funcionamiento	Air / Aire
Operating temperature range / Rango de temperatura	-40°C to / a +80°C
Weight / Peso	350 gr

B

B

C

C



D

D

Port / Conexión	Function / Función	Thread / Rosca
1	Supply / Alimentación	2x M12x1,5
2	Delivery / Salida	M12x1,5
3	Exhaust / Escape	-
6	Electric connection / Conexión eléctrica	Bayonet DIN 72585 A1-2

E

E

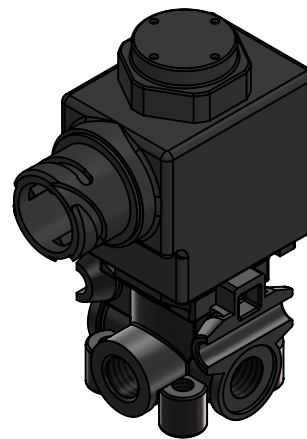
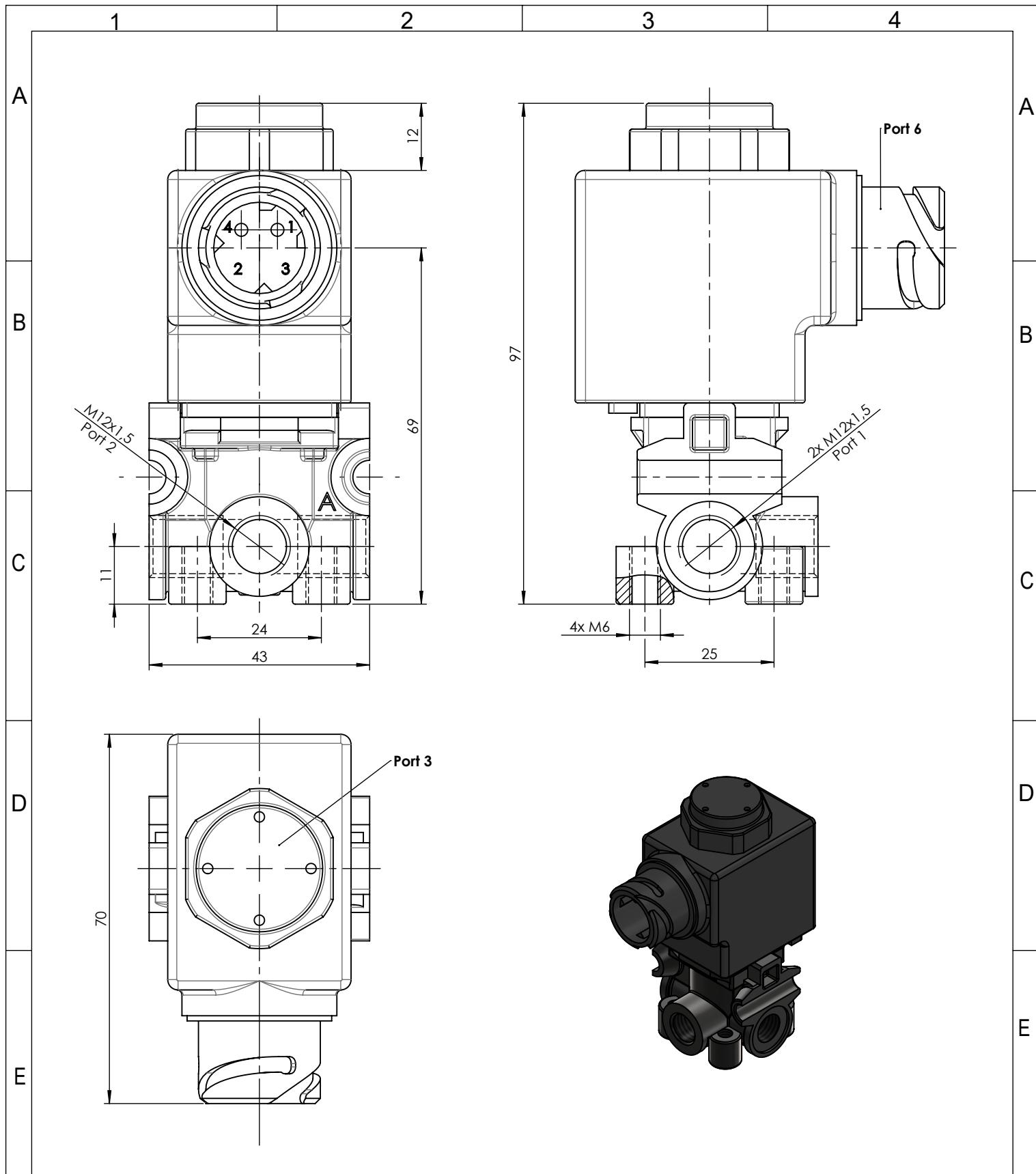
**Installation requirements / Requisitos para la instalación:**

Mounting is accomplished with four screws M6. / El montaje se realiza mediante cuatro tornillos M6.

F

F

Modification	4				Drawn		
	3				09/09/15 A.U.		
	2				Checked		
	1				09/09/15 A.L.		
nº	Modified	Date	Reason	General Tolerance	Assembly	-	
Comments					-	Part name	Gearbox valve
					Material	ID. Reference	2880126
					-	Scale: -	
					-	Review: 0	



F	Modification	4				Drawn		F
		3				09/09/15 A.U.		
		2				Checked		
		1				09/09/15 A.L.		
	n°	Modified	Date	Reason	General Tolerance	Assembly		
Comments					ISO 2768 c-K	Part name	Gearbox valve	
					Material	ID. Reference	2880126	
					-	Scale: 1/1		Sheet 2/2
					-	Review: 0		