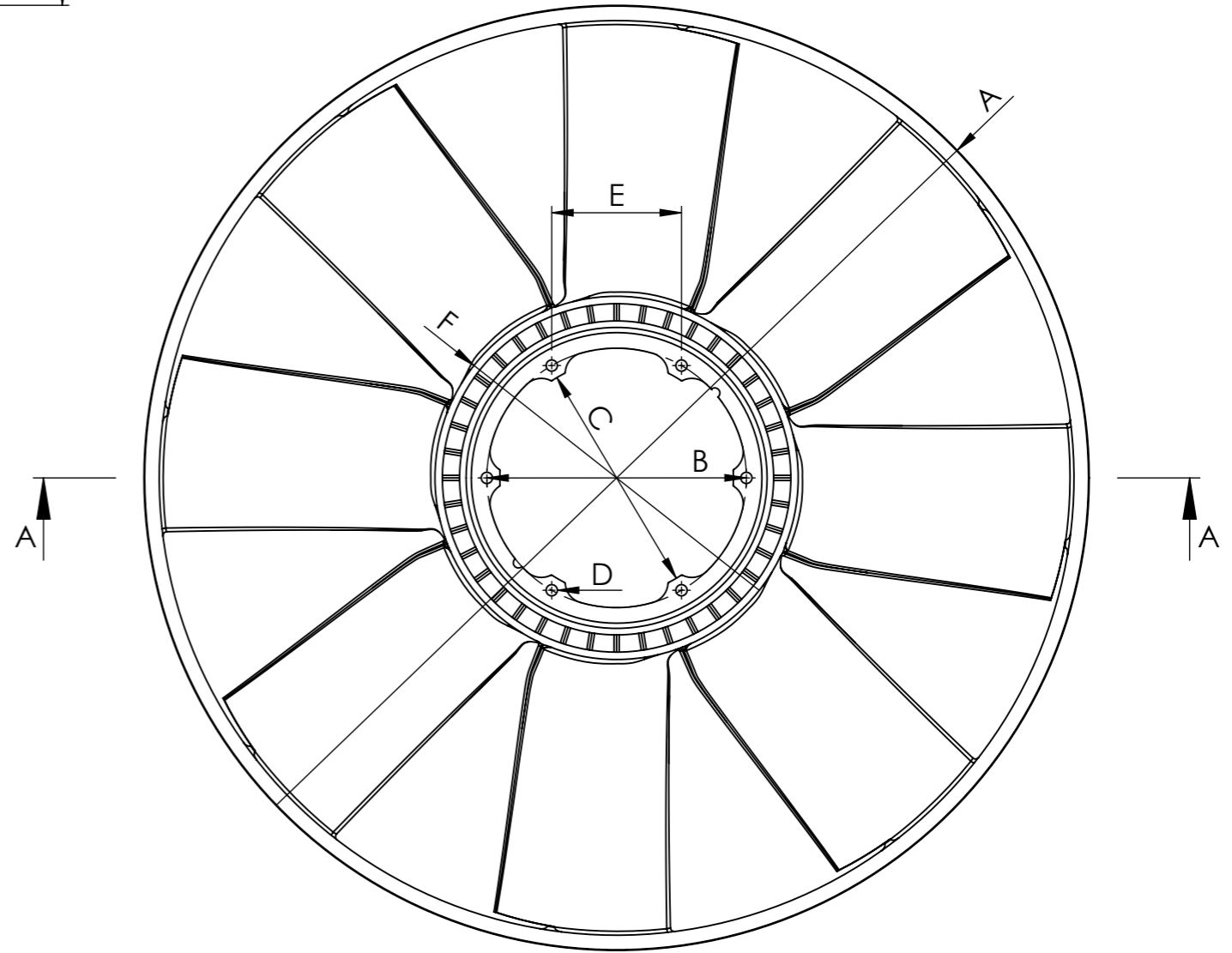
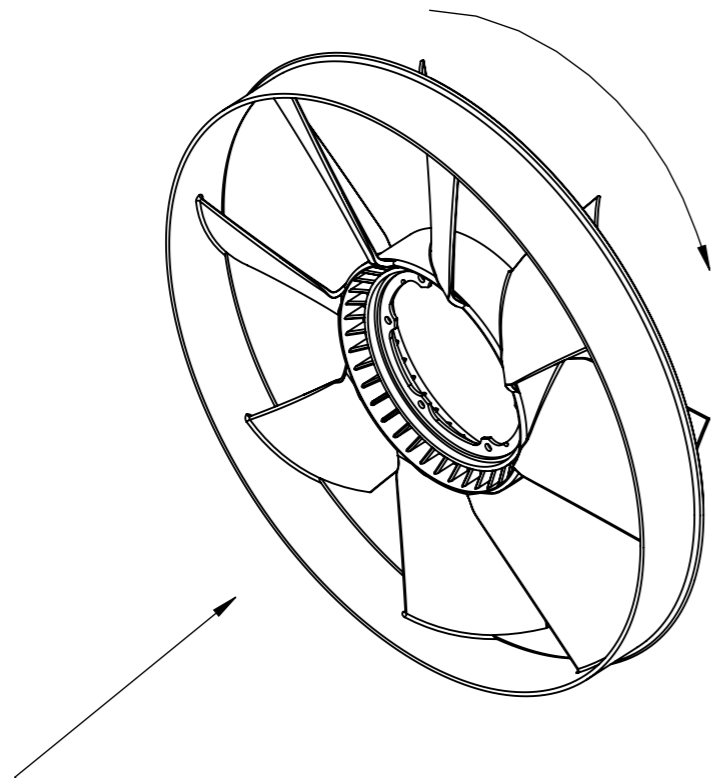


SECTION A-A



FAN WHEEL			
Ref.n°	Value	Ref.n°	Value
A	$\phi 708 \pm 3$ mm	G	74.7 ± 3 mm
B	$\phi 200.5$ mm	H	49.8 ± 3 mm
C	$\phi 180 +0,30$ mm	I	125.8 ± 3 mm
D	6x $\phi 9.2$ mm	J	$\phi 693 \pm 3$ mm
E	100.3 mm		
F	$\phi 279 \pm 3$ mm		
Number of blades		8	Configuration
			CW

Modification n°	Modified	Date	Reason
4			
3			
2			
1			


Comments			

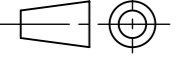
Drawn
19/05/20 A.G.

Checked
19/05/20 R.U.

General Tolerance
ISO 2768 c-K

Material



Assembly	Technical sheet
Part name	Fan wheel
ID. Reference	7027112
Scale: 1/5	
Review: 0	
Sheet 1/1	