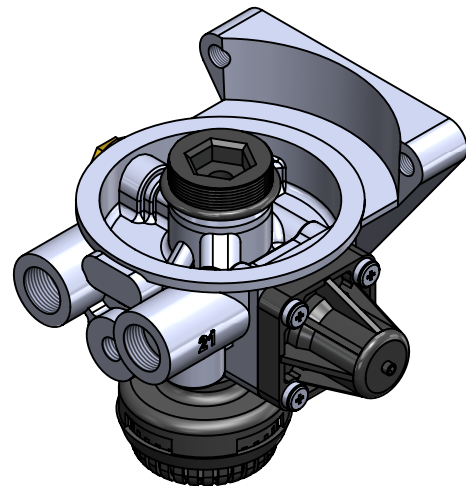
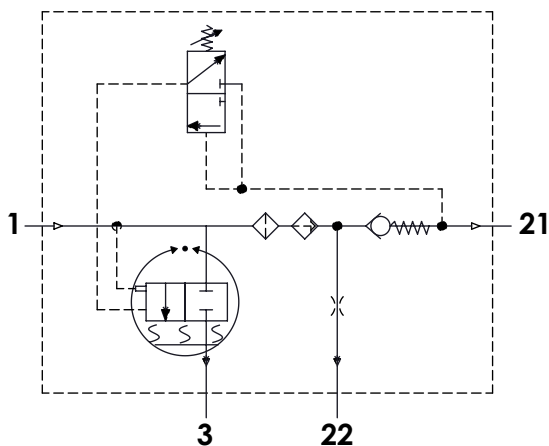


## Technical Sheet /Datos Técnicos:

|   |                        |
|---|------------------------|
| Part number adaptable to / Referencia adaptable a:  | 432 410 095 0          |
| Working pressure / Presión de trabajo:              | Max = 13 bar           |
| Unloader / Regulador de presión:                    | Integrated / Integrado |
| Cut-out pressure / Presión de corte:                | 9.3 ± 0.3 bar          |
| Heating / Calentador:                               | 100W / 24 V            |
| Permissible Medium / Medio de funcionamiento:       | Air / Aire             |
| Operating temperature range / Rango de temperatura: | - 40 °C a / to +80 °C  |
| Cut-in temperature / Temperatura de cierre:         | +7° ± 6°C              |
| Cut-off temperature / Ajuste de la temperatura:     | +29.5° ± 3°C           |
| Weight / Peso:                                      | 1540 gr                |

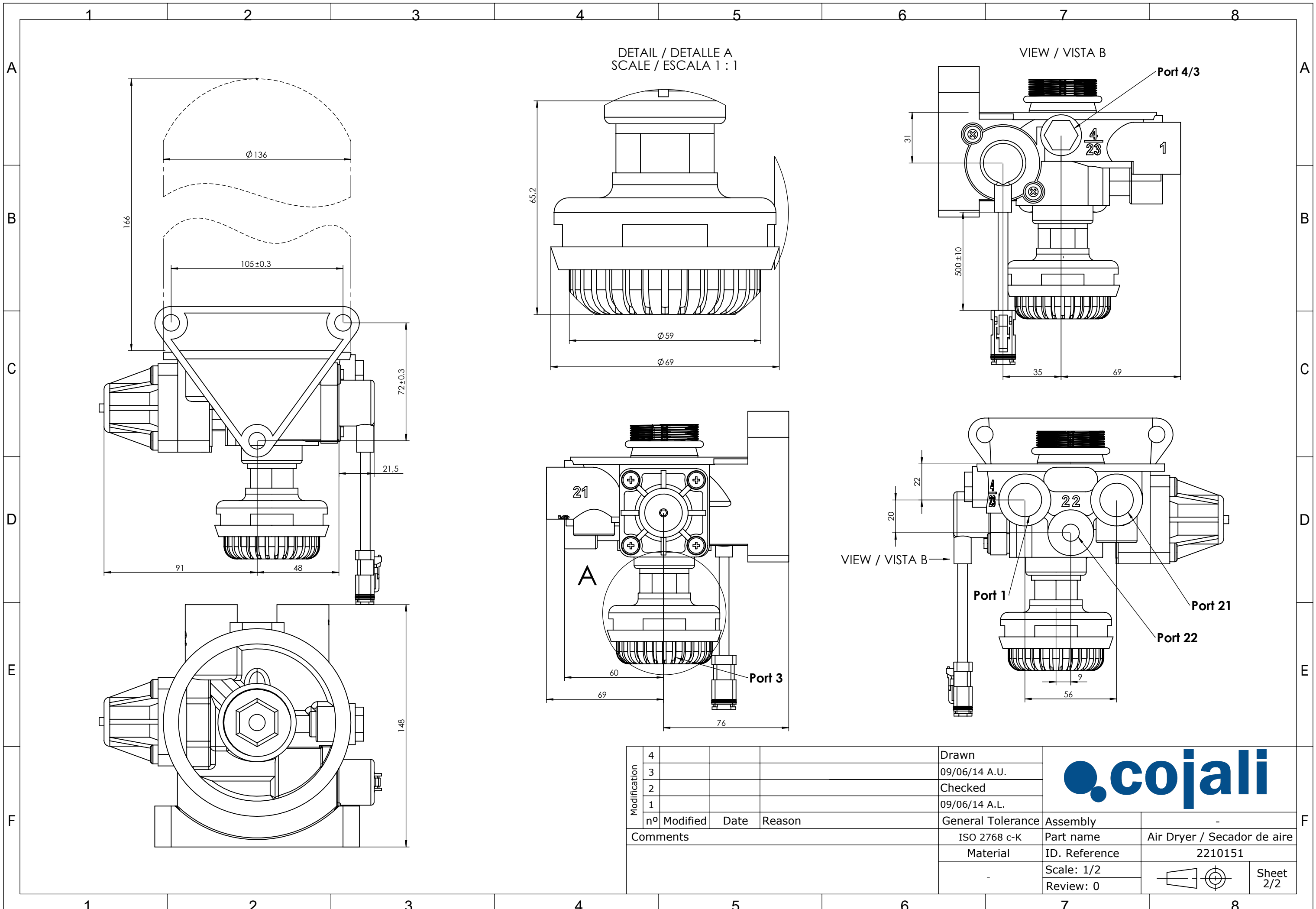


| Port / Conexión | Function / Función   | Thread / Rosca      |
|-----------------|--|---------------------|
| 1               | From the compressor / Proveniente del compresor                | M22x1,5             |
| 21              | To the reservoirs / A los calderines                           | M22x1,5             |
| 22              | To the regenerated air reservoir / Al calderín de regeneración | M12x1,5             |
| 3               | Exhaust for compressed air / Escape de aire comprimido         | Silencer/Silencioso |
| 6               | Heating / Calentador   | DT 06-2S            |

**Purpose / Finalidad:** Drying of the compressed air supplied by the compressor. / Secado del aire comprimido procedente del compresor.

**Installation / Instalación:** Exhaust (3) must look down. / El escape de aire (3) debe estar orientado hacia abajo.

|              |          |          |      |        |                   |               |                             |
|--------------|----------|----------|------|--------|-------------------|---------------|-----------------------------|
| Modification | 4        |          |      |        | Drawn             |               |                             |
|              | 3        |          |      |        | 09/06/14 A.U.     |               |                             |
|              | 2        |          |      |        | Checked           |               |                             |
|              | 1        |          |      |        | 09/06/14 A.L.     |               |                             |
| F            | nº       | Modified | Date | Reason | General Tolerance | Assembly      |                             |
|              | Comments |          |      |        | -                 | Part name     | Air Dryer / Secador de aire |
|              |          |          |      |        | Material          | ID. Reference | 2210151                     |
|              |          |          |      |        | -                 | Scale: -      |                             |
|              |          |          |      | -      | Review: 0         | Sheet 1/2     |                             |



| Modification | n <sup>o</sup> Modified | Date | Reason |
|--------------|-------------------------|------|--------|
| 4            |                         |      |        |
| 3            |                         |      |        |
| 2            |                         |      |        |
| 1            |                         |      |        |

|               |  |
|---------------|--|
| Drawn         |  |
| 09/06/14 A.U. |  |
| Checked       |  |
| 09/06/14 A.L. |  |

|                   |               |                             |
|-------------------|---------------|-----------------------------|
| General Tolerance | Assembly      | -                           |
| ISO 2768 c-K      | Part name     | Air Dryer / Secador de aire |
| Material          | ID. Reference | 2210151                     |
| -                 | Scale: 1/2    |                             |
|                   | Review: 0     |                             |

Sheet 2/2

