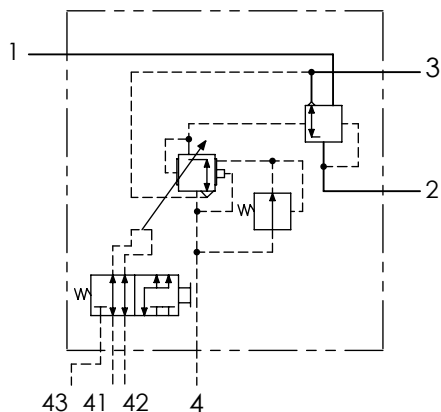


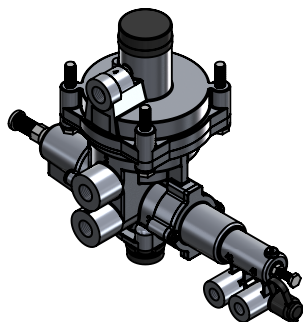
Technical sheet / Datos técnicos:

| | |
|--|--------------------|
| Part number adaptable to / Referencia adaptable a | 4757110330 |
| Operating pressure / Presión de trabajo | max. 13 bar |
| Regulation index / Índice de regulación | 1 : 8 |
| Permissible medium / Medio de funcionamiento | Air / Aire |
| Operating temperature range / Rango de temperatura | -40°C to / a +80°C |
| Weight / Peso | 2100 gr |

| Pressure regulation / Regulación de presión | | | |
|---|---------|---------|---------|
| Position / Posición | P1 | P4 | P2 |
| P41/42 = 0.8 bar | 6.0 bar | 6.0 bar | 1.7 bar |
| P41/42 = 8.0 bar | 6.0 bar | 6.0 bar | 6.0 bar |



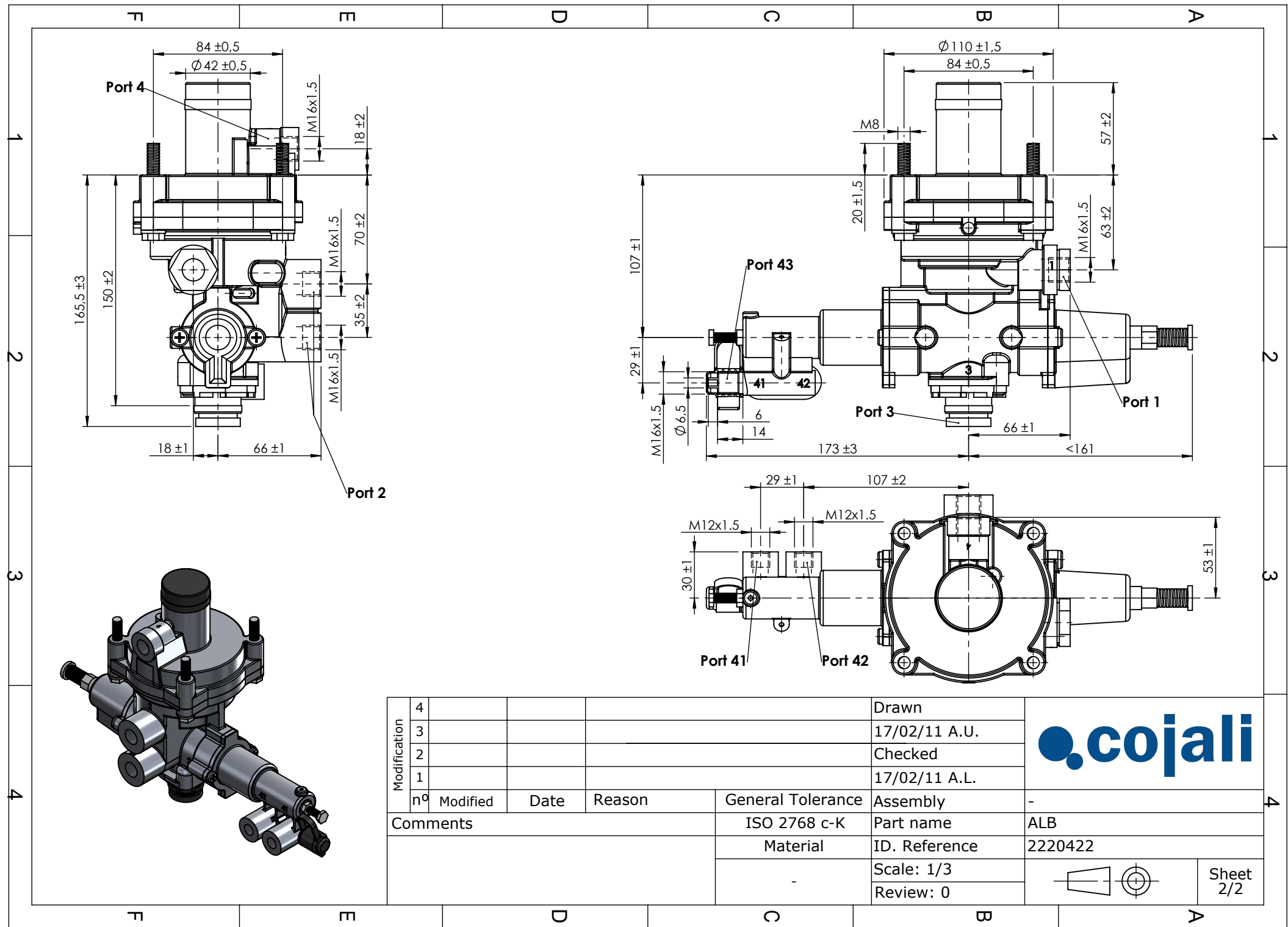
| Port / Conexión | Function / Función | Thread / Rosca |
|-----------------|--|----------------|
| 1 | Supply / Alimentación | M16x1.5 |
| 2 | Delivery / Salida | 2x M16x1.5 |
| 3 | Exhaust / Escape | - |
| 4 | Control / Pilotaje | M16x1.5 |
| 41 | Suspension control / Pilotaje suspensión | M12x1.5 |
| 42 | Suspension control / Pilotaje suspensión | M12x1.5 |
| 43 | Test / Test | M16x1.5 |


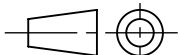


Purpose / Propósito: The automatically control braking force on the air brake chambers of vehicles with air suspended axles. Automatic control is dependent upon the air bag pressure which corresponds to the vehicle load. / El control automático de la fuerza de frenado en las cámaras de freno de aire comprimido de los vehículos con ejes dotados de suspensión neumática. El control automático depende de la presión del colchón neumático que corresponde a la carga del vehículo.

Installation requirements / Requisitos para la instalación: The valve must be installed vertically with the exhaust port (3) pointing downwards. Mounting is accomplished with at least 2 screws M8. / La válvula debe fijarse verticalmente con el escape (3) orientado hacia abajo. El montaje se realiza con, al menos, 2 tornillos M8.

| | | | | | | | |
|--------------|----------|----------|------|--------|-------------------|---------------|-----------|
| Modification | 4 | | | | Drawn | | |
| | 3 | | | | 17/02/11 A.U. | | |
| | 2 | | | | Checked | | |
| | 1 | | | | 17/02/11 A.L. | | |
| F | nº | Modified | Date | Reason | General Tolerance | Assembly | - |
| | Comments | | | | - | Part name | ALB |
| | | | | | Material | ID. Reference | 2220422 |
| | | | | | Scale: - | | Sheet 1/2 |
| | | | | | Review: 0 | | |



| | | | | | | | |
|--------------|----|----------|------|--------|-------------------|---|---|
| Modification | 4 | | | | Drawn |  | |
| | 3 | | | | 17/02/11 A.U. | | |
| | 2 | | | | Checked | | |
| | 1 | | | | 17/02/11 A.L. | | |
| | n° | Modified | Date | Reason | General Tolerance | Assembly | |
| Comments | | | | | ISO 2768 c-K | Part name | ALB |
| | | | | | Material | ID. Reference | 2220422 |
| | | | | | | Scale: 1/3 |  |
| | | | | | | Review: 0 | |