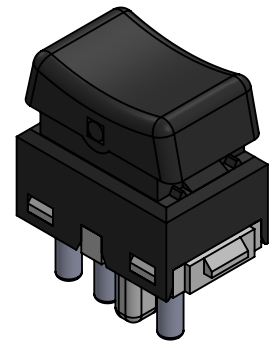
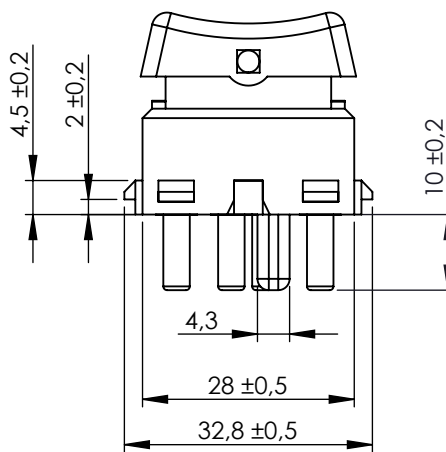
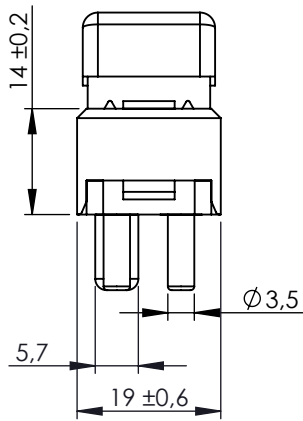
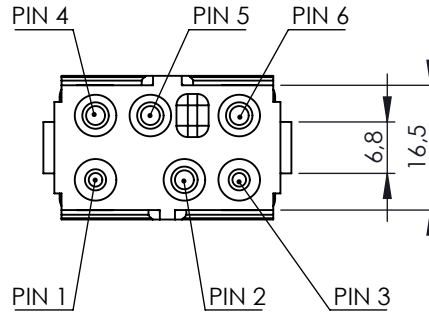
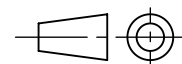


**Technical data/ Datos técnicos:**

According to/ En referencia a:	1362546
Operating temperature range/ Rango de temperatura:	-40°C a/to 80°C
Weight/Peso:	18 gr



Modification	4				Drawn	
	3				14/07/20 S.F.	
	2				Checked	
	1				14/07/20 E.L.	
	nº	Modified	Date	Reason	General Tolerance	Assembly
Comments					ISO 2768 c-K	Part name
					Material	ID. Reference
					-	Scale: 1/1
					-	Review: 0



Sheet  
1/1