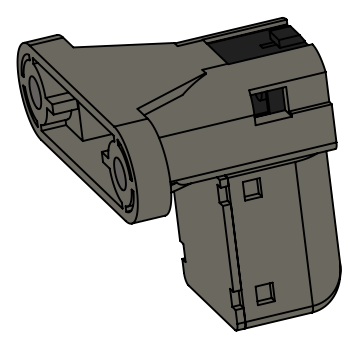
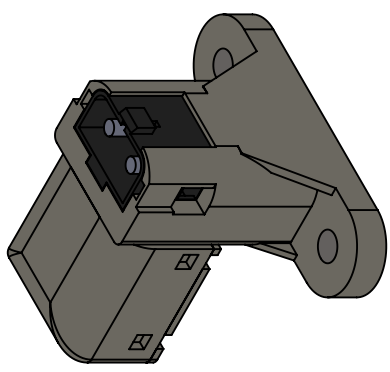
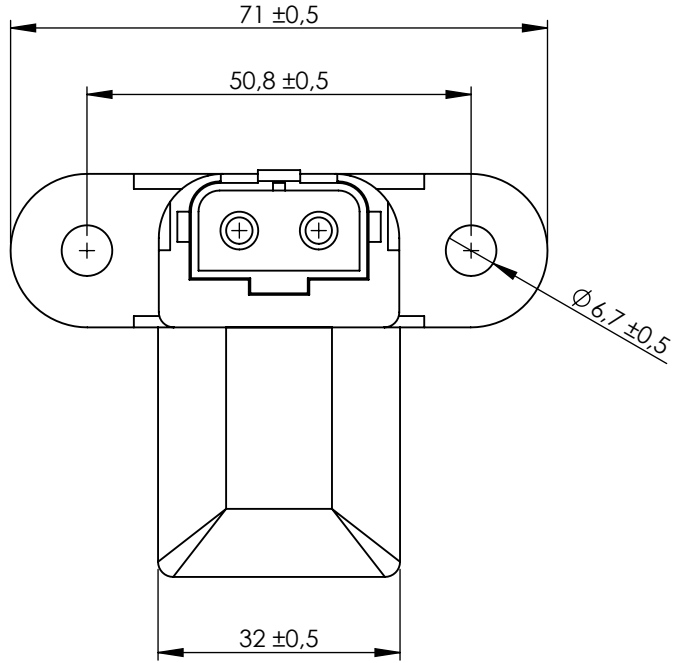
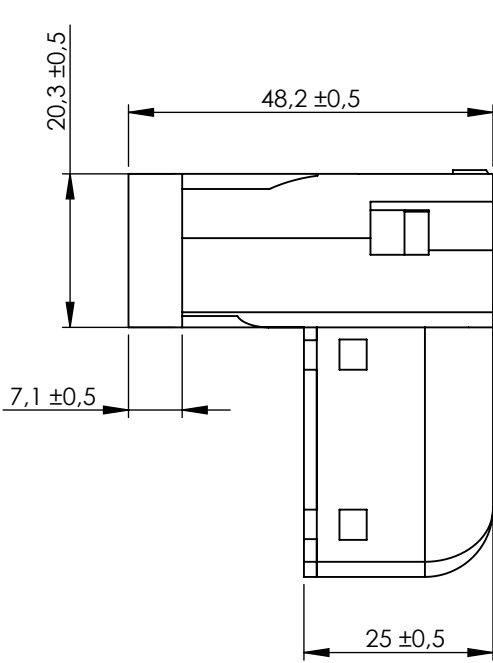


Technical data/ Datos técnicos:

According to/En referencia a:	20382529
Operating temperature range/ Rango de temperatura:	-40°C a/to 80°C
Weight/Peso:	46,5 gr



Modification	4				Drawn	
	3				31/08/20 S.F.	
	2				Checked	
	1				31/08/20 E.L.	
	nº	Modified	Date	Reason	General Tolerance	
Comments					ISO 2768 f-H	Part name
					Material	ID. Reference
					-	Scale: 1/1
					-	Review: 0
						Sheet 1/1