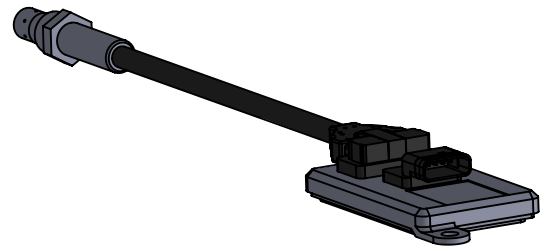
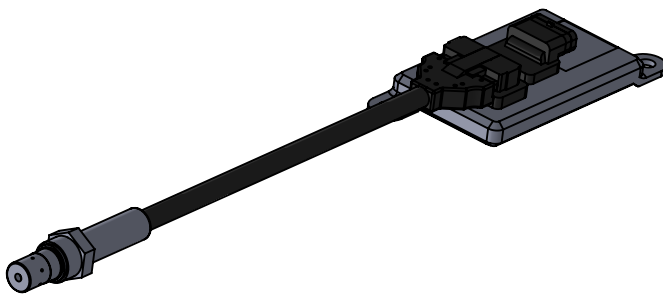
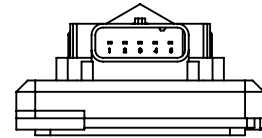
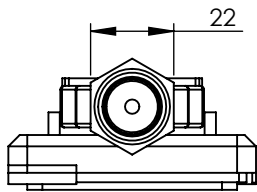
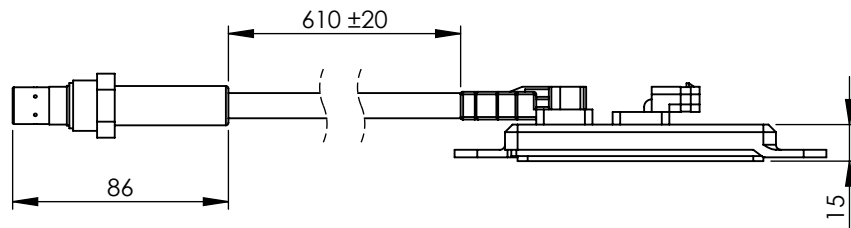
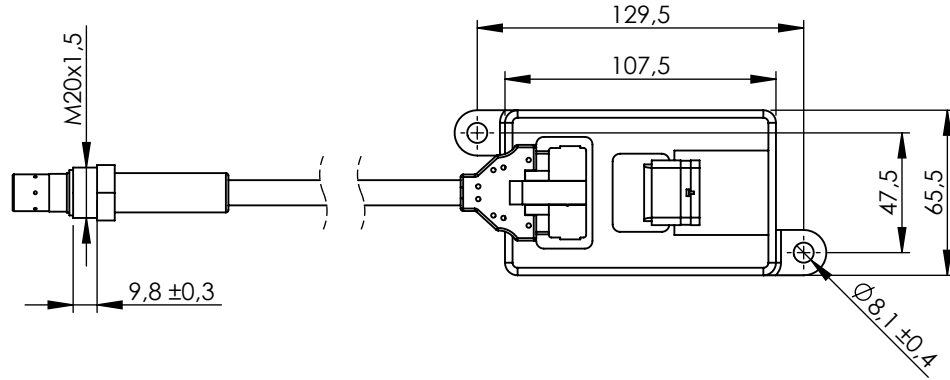


Technical data/ Datos técnicos:

According to/ En referencia a:	5801363754
Operating temperature range/Rango de temperatura:	-40°C a/to 80°C
Weight/ Peso	309 gr

PIN 1	+24V
PIN 2	GND/MASA
PIN 3	CAN L
PIN 4	CAN H
PIN 5	NO FUNCTION/ SIN FUNCION



Modification	4				Drawn
	3				11/09/20 S.F.
	2				Checked
	1				11/09/20 E.L.
F	nº	Modified	Date	Reason	General Tolerance
	Comments				ISO 2768 c-K
					Material
					-



Assembly		-
Part name		NOx sensor/Sensor NOx
ID. Reference		2269009
Scale: 1/3		
Review: 0		