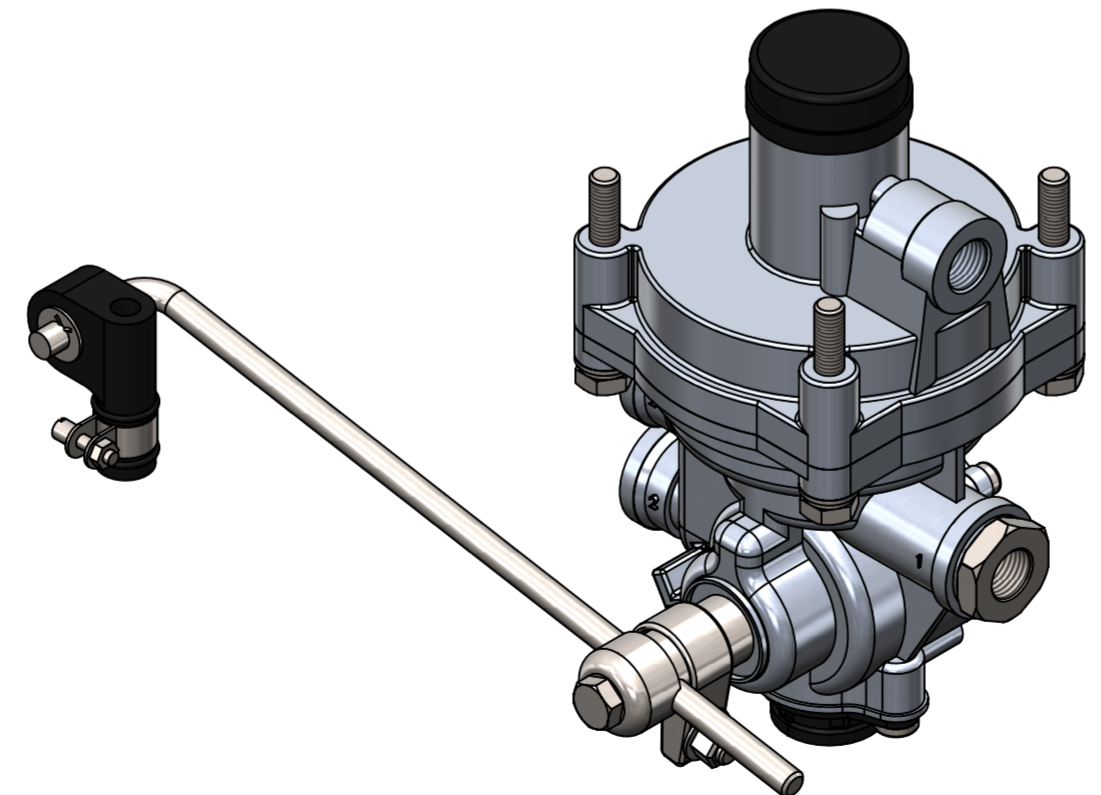
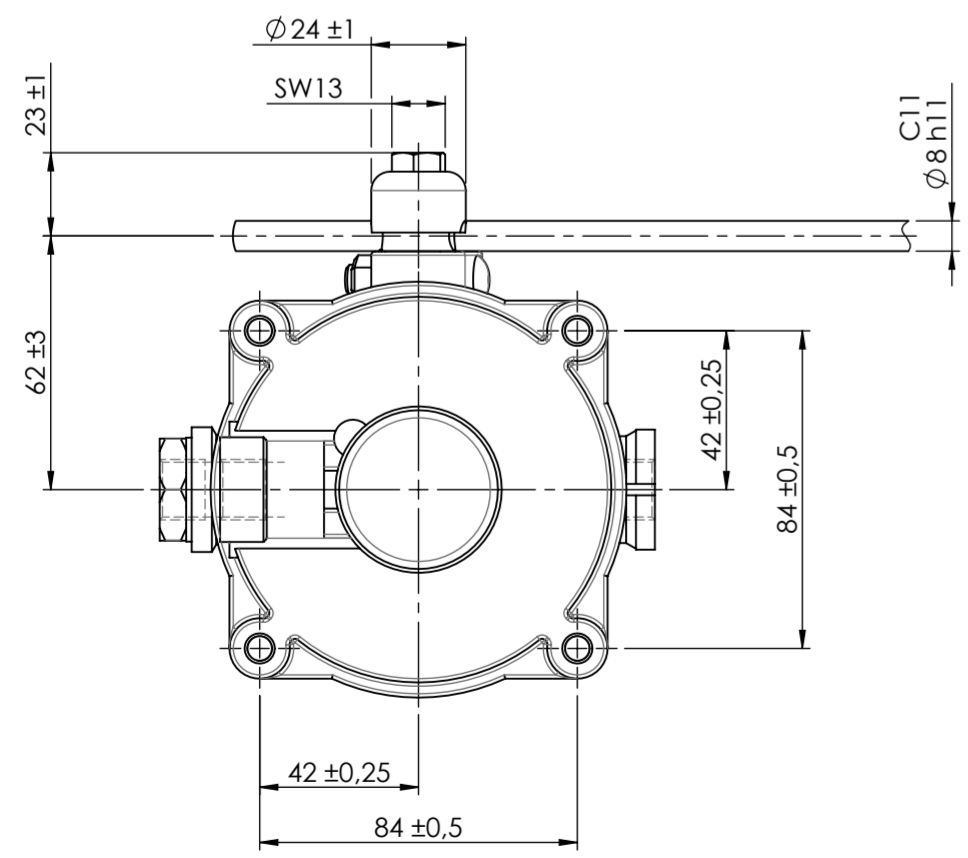
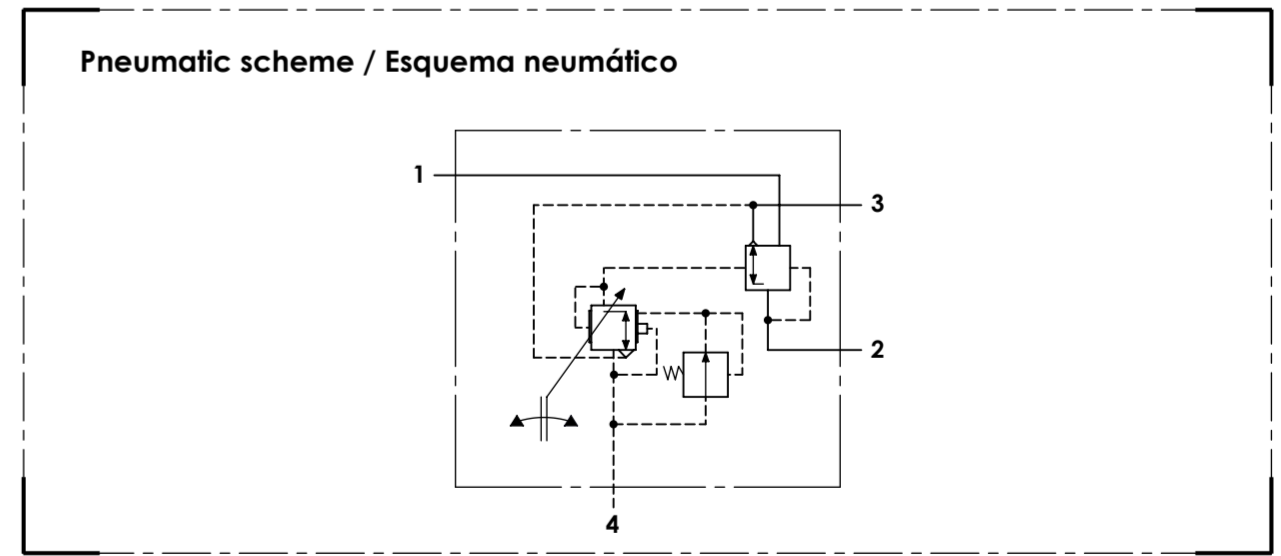
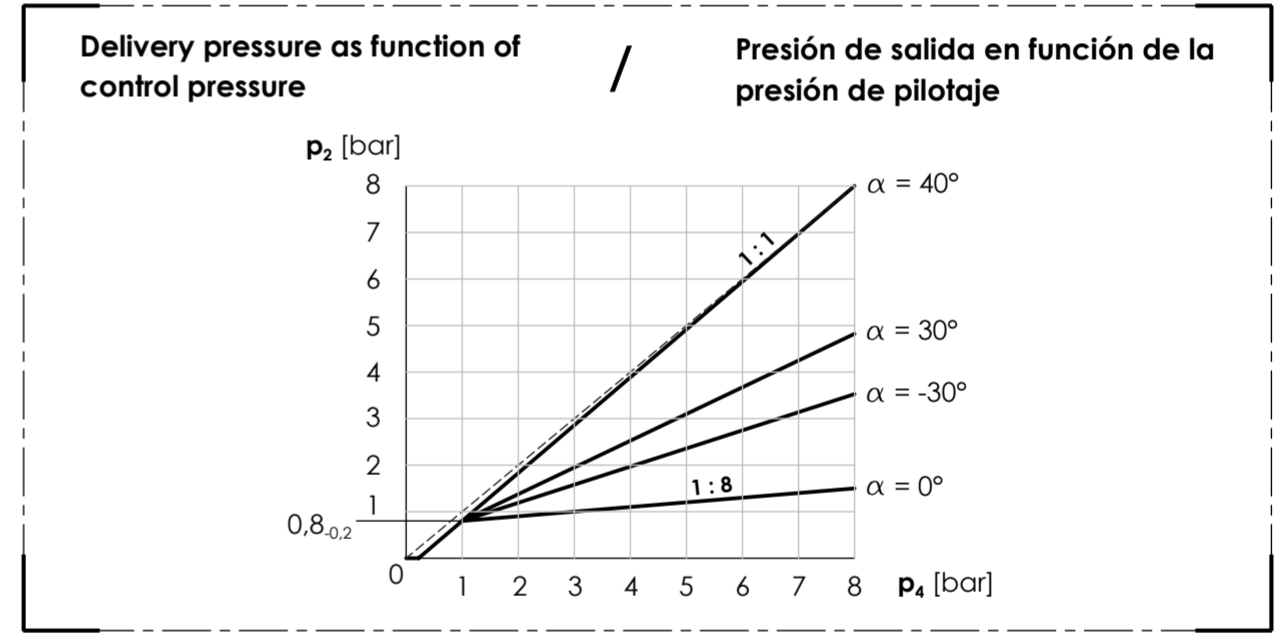
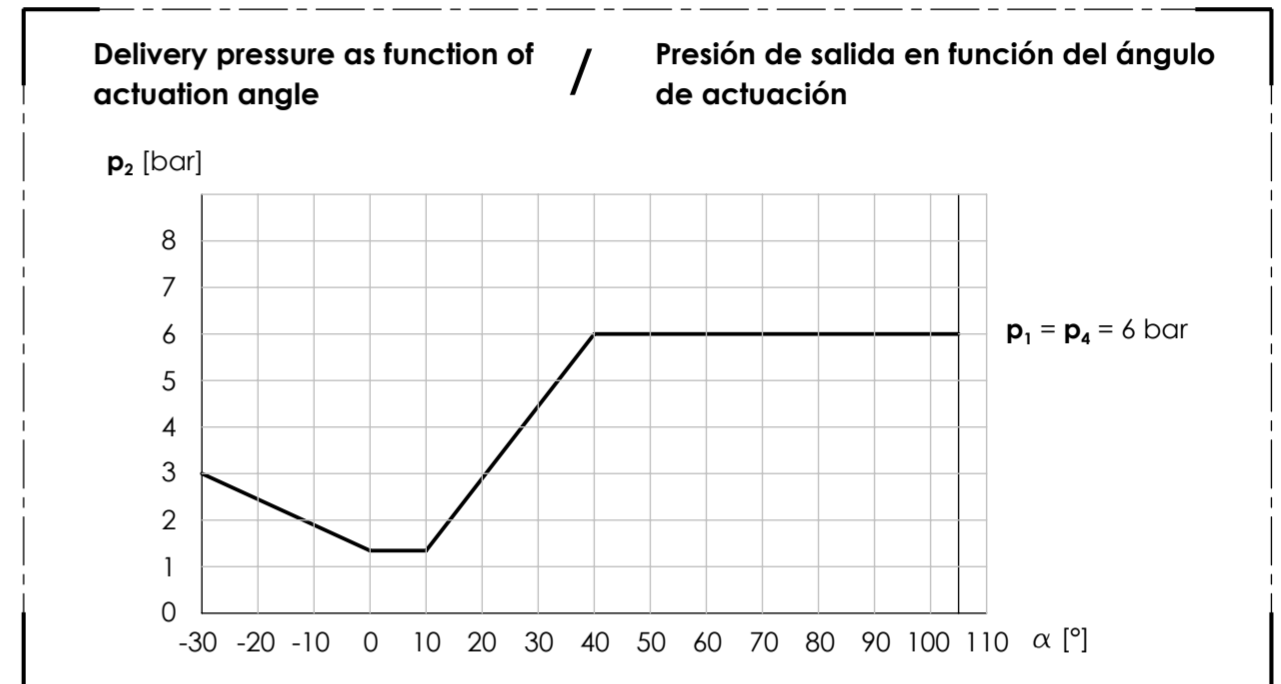


Technical data / Datos técnicos:

Part number adaptable to / Referencia adaptable a	BR4429
Operating pressure / Presión de trabajo	max. 10 bar
Permissible medium / Medio de funcionamiento	Air / Aire
Operating temperature range / Rango de temperatura	-40°C to / a +80°C
Weight / Peso	1900 gr



Modification	4			Drawn	17/02/11 A.U.
	3			Checked	
	2	J.S.	20/12/23	Modify sheet format	17/02/11 A.L.
	1	J.S.	11/12/23	Modify format of valve	17/02/11 A.L.
nº Modified	Date	Reason		General Tolerance	Assembly
Comments				ISO 2768 c-K	Part name
				Material	ID. Reference
					2320206
				Scale: 1/2	
				Review: 2	

