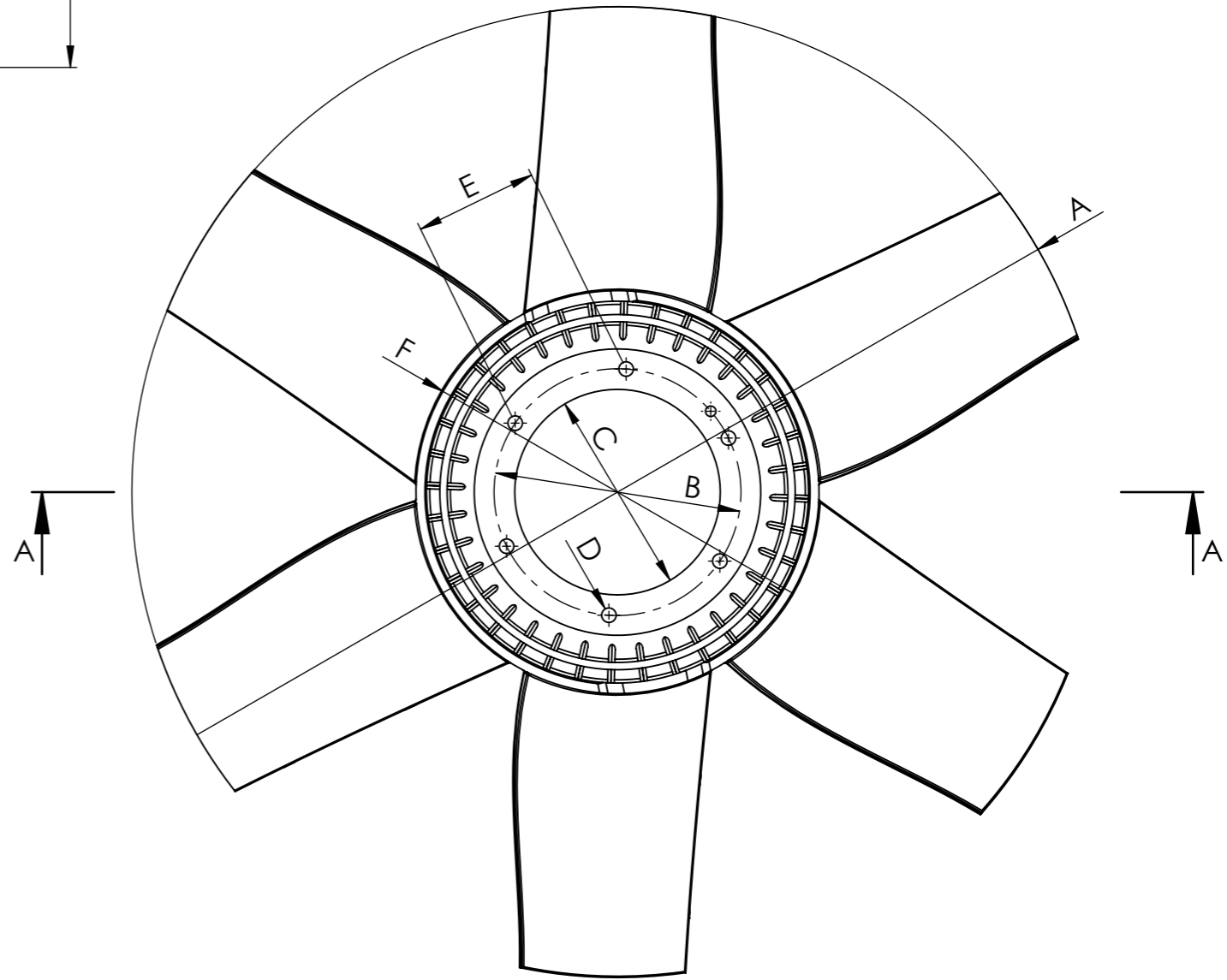
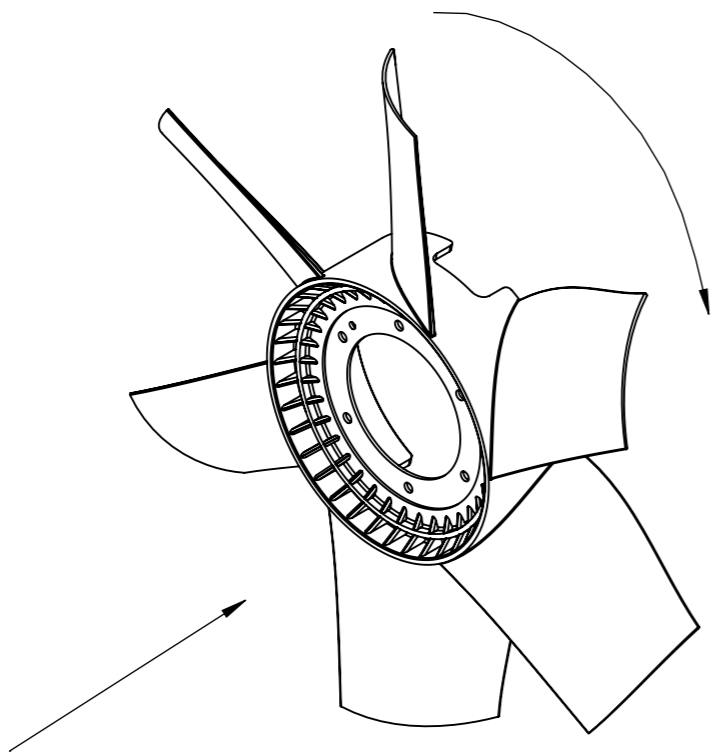
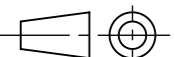


SECTION A-A



Dimensional values		FAN WHEEL			
		Ref.n°	Value	Ref.n°	Value
A	Ø 600 ±3 mm	G	93 ±3 mm		
B	Ø 152,4 mm	H	64.8 ±3 mm		
C	Ø 127 +0,30 mm	I	94.3 ±3 mm		
D	6x Ø9 mm				
E	76,2 mm				
F	Ø250 ±3 mm				
Number of blades		6	Configuration		CW

Modification n°	Modified	Date	Reason	Comments	Drawn
					4
3					Checked
2					15/05/20 R.U.
1					

General Tolerance		ISO 2768 c-K	Assembly		Technical sheet
Material			Part name		Fan wheel
ID. Reference		7027108	Scale: 1/4		 Sheet 1/1
Review: 0					

