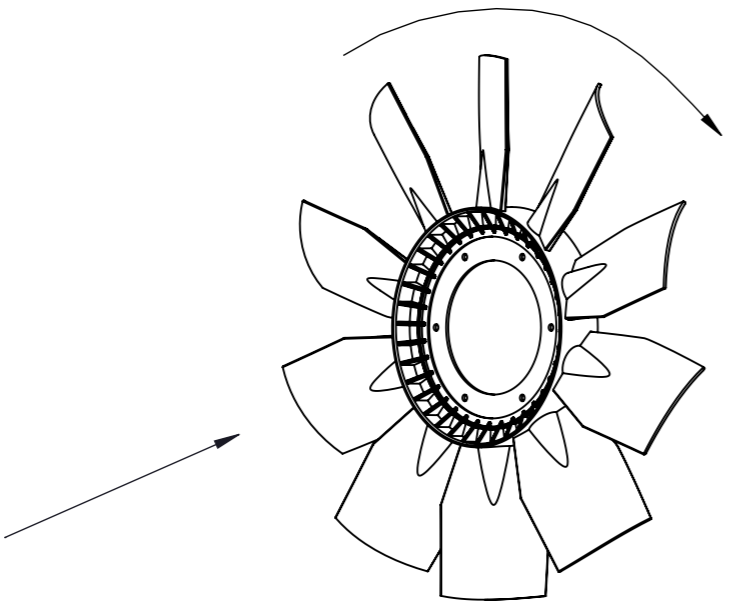
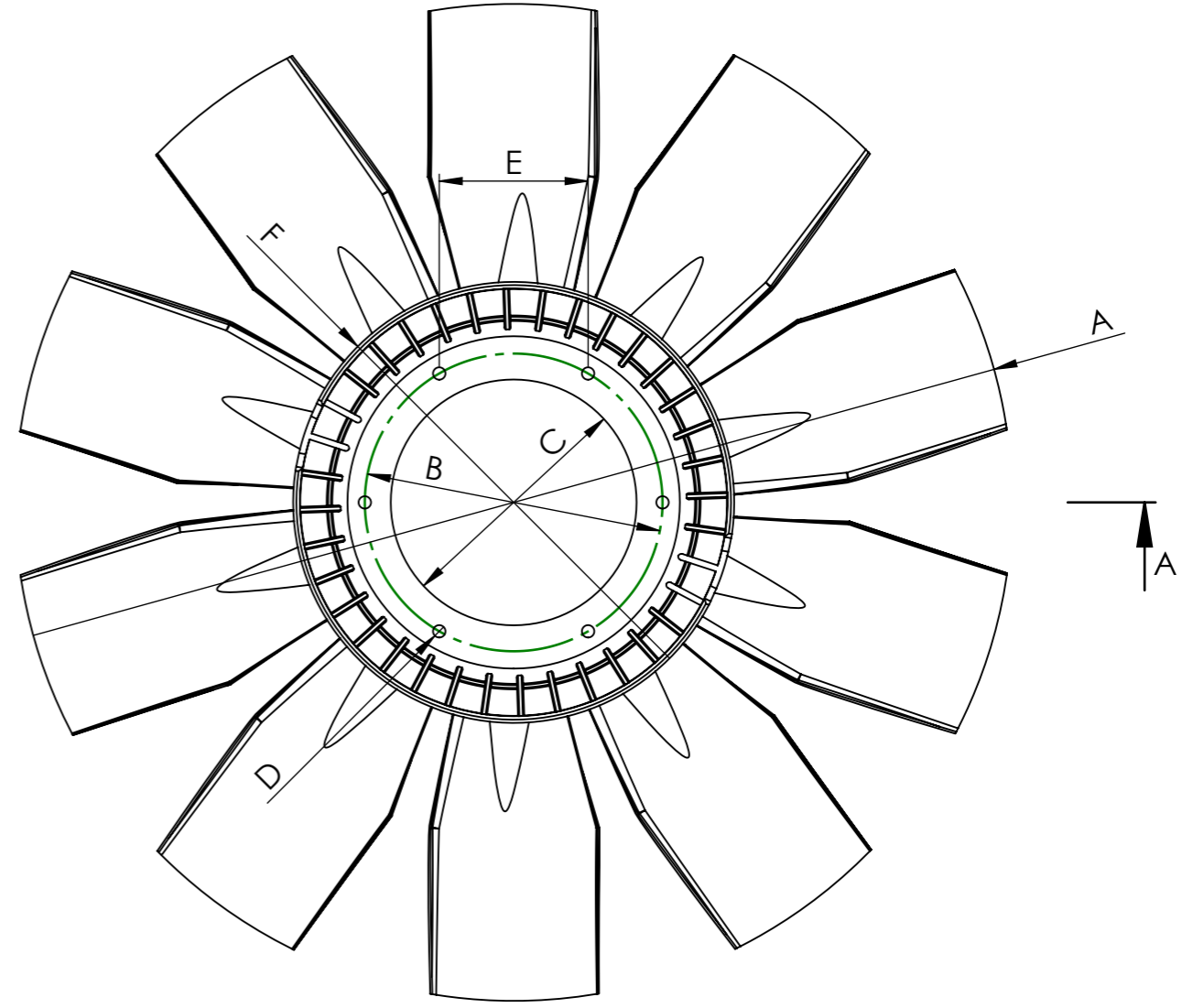


SECCIÓN A-A
ESCALA 1 : 5



FAN WHEEL			
Ref.nº	Value	Ref.nº	Value
A	$\phi 720 \pm 3$ mm	G	$67,4 \pm 3$ mm
B	$\phi 214,5$ mm	H	$43,6 \pm 3$ mm
C	$\phi 178 +0,30$ mm	I	$85,2 \pm 3$ mm
D	6x $\phi 9,1$ mm		
E	107,3 mm		
F	$\phi 318,6 \pm 3$ mm		
Number of blades		10	Configuration
			CW

Modification nº	Modified	Date	Reason	Comments
3				
2				
1				

Drawn		
14/05/20 S.F.		
Checked	Technical sheet	
14/05/20 A.D.		
General Tolerance	Assembly	Technical sheet
ISO 2768 c-K	Part name	Fan wheel
Material	ID. Reference	7027118
	Scale: 1/5	
	Review: 0	
		Sheet 1/1