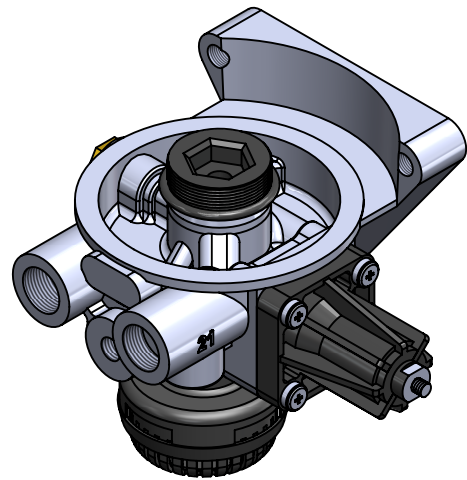
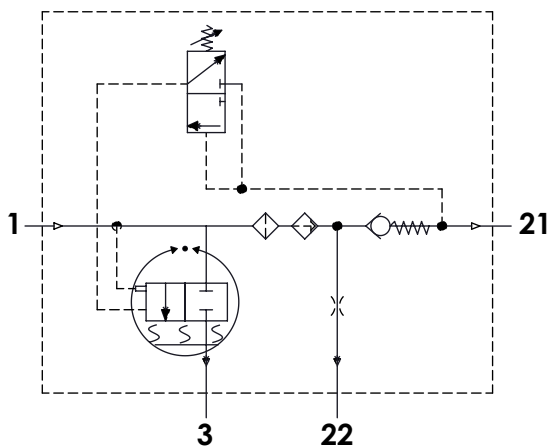


Technical Sheet /Datos Técnicos:

| | |
|---|------------------------|
| Part number adaptable to / Referencia adaptable a: | 432 410 907 0 |
| Working pressure / Presión de trabajo: | Max = 13 bar |
| Unloader / Regulador de presión: | Integrated / Integrado |
| Cut-out pressure / Presión de corte: | 9.8±0.3 bar |
| Heating / Calentador: | 100W / 24 V |
| Permissible Medium / Medio de funcionamiento: | Air / Aire |
| Operating temperature range / Rango de temperatura: | - 40°C a / to +80°C |
| Cut-in temperature / Temperatura de cierre: | +7° ± 6°C |
| Cut-off temperature / Ajuste de la temperatura: | +29.5° ± 3°C |
| Weight / Peso: | 1540 gr |

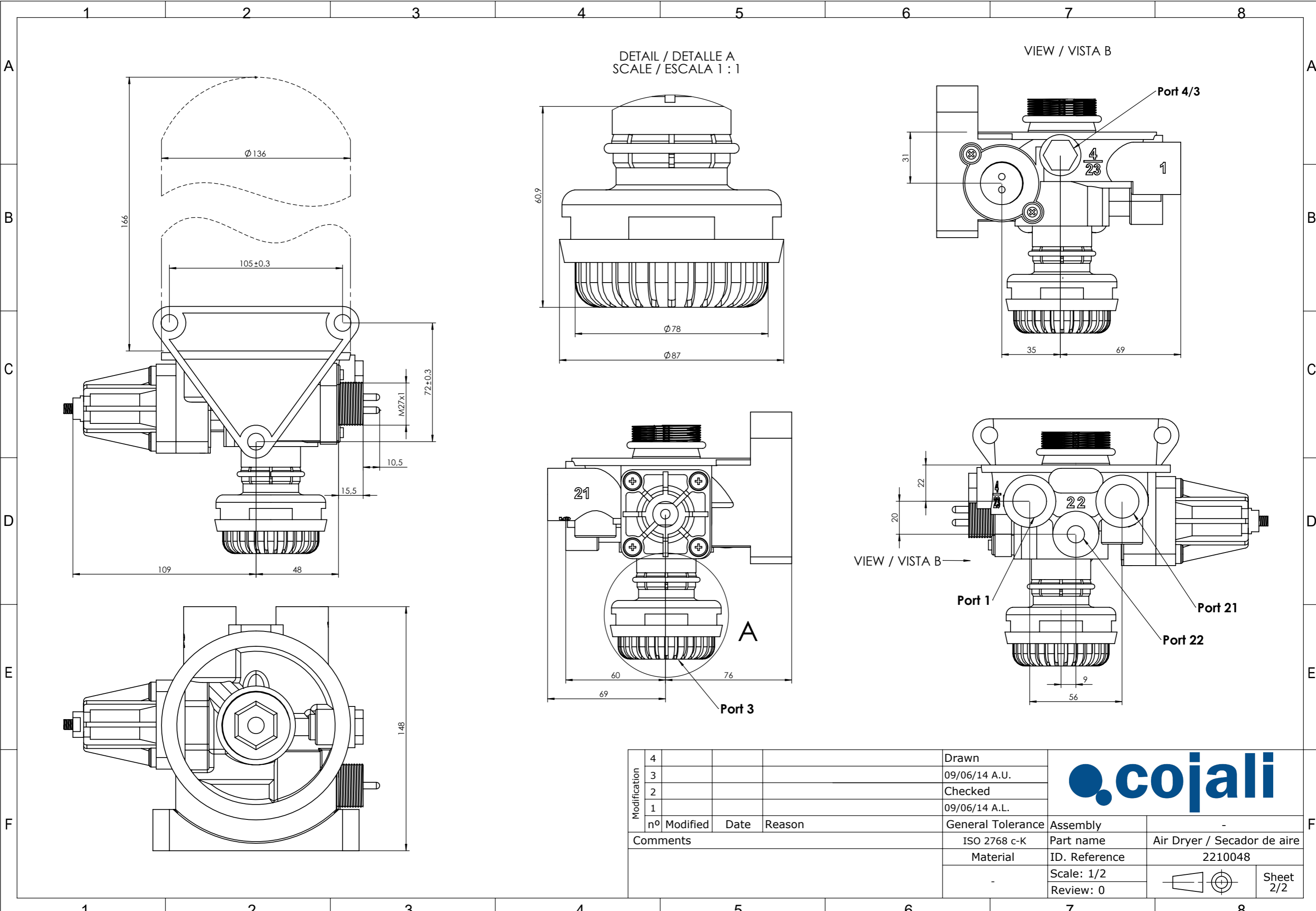





| Port / Conexión | Function / Función | Thread / Rosca |
|-----------------|--|---------------------|
| 1 | From the compressor / Proveniente del compresor | M22x1,5 |
| 21 | To the reservoirs / A los calderines | M22x1,5 |
| 22 | To the regenerated air reservoir / Al calderín de regeneración | M12x1,5 |
| 3 | Exhaust for compressed air / Escape de aire comprimido | Silencer/Silencioso |
| 6 | Heating / Calentador | M27x1 |

Purpose / Finalidad: Drying of the compressed air supplied by the compressor. /
Secado del aire comprimido procedente del compresor.

Installation / Instalación: Exhaust (3) must look down. /
El escape de aire (3) debe estar orientado hacia abajo.

| | | | | | | | |
|--------------|----|----------|------|--------|-------------------|---------------|-----------------------------|
| Modification | 4 | | | | Drawn | | |
| | 3 | | | | 09/06/14 A.U. | | |
| | 2 | | | | Checked | | |
| | 1 | | | | 09/06/14 A.L. | | |
| | nº | Modified | Date | Reason | General Tolerance | | Assembly |
| Comments | | | | | - | Part name | Air Dryer / Secador de aire |
| | | | | | Material | ID. Reference | 2210048 |
| | | | | | - | Scale: - | |
| | | | | | - | Review: 0 | |



| | | | | | | |
|--------------|-------------|------|--------|-------------------|---|---|
| Modification | 4 | | | Drawn |  | |
| | 3 | | | 09/06/14 A.U. | | |
| | 2 | | | Checked | | |
| | 1 | | | 09/06/14 A.L. | | |
| | nº Modified | Date | Reason | General Tolerance | Assembly | |
| Comments | | | | ISO 2768 c-K | Part name | - |
| | | | | Material | ID. Reference | Air Dryer / Secador de aire |
| | | | | | Scale: 1/2 | 2210048 |
| | | | | | Review: 0 |   |
| | | | | | | Sheet 2/2 |